



2008 GENUINE SUZUKI MARINE ACCESSORIES





2008 GENUINE SUZUKI MARINE ACCESSORIES

NOW HEAR THIS!

Dear Customer,

Quality. Dependability. Innovation. Everything you expect from your outboard motor is delivered with style by Suzuki. Demand no less from the products you choose to enhance your total boating pleasure. Demand Genuine Suzuki Accessories.

This Genuine Suzuki Accessories Catalog represents our commitment to provide you with the finest products available.

From our classic line of matching instruments and gauges to our custom-engineered propellers and rigging items, you can depend on Genuine Suzuki Accessories for optimum performance. Take a few minutes to browse through this catalog then be sure to visit your Authorized Suzuki Dealer for complete ordering information.

For the Suzuki Marine Dealer nearest you, call **1-800-247-4704** or visit us on the web at www.suzuki.com or www.suzukimarine.com.

Thank you.

Genuine Suzuki Accessories



TABLE OF CONTENTS

Suzuki Modular Instrument Systems (SMIS)

SMIS Multi-Function Gauges	
4" Gauge	4
2" Gauge	4
Engine Interface and Power Cables	
SMIS Engine Interface	4
SMIS Adapter Cables	4
SMIS Power Cable	4
Connection Cables	5
Connection Hardware	
T-Connector	5
Terminating Resistors	5
Power Node	5
NMEA Adaptor Harness	5
Sensors	
Fluid Level Sensor	5
Speed Sensor	5
Temperature Sensor	5
GPS Receiver Module	5
Optional Instrument Trims	5

Suzuki Commander™

4" Speedometer	6
4" Tachometer	6
4" Speedometer and Tachometer Sets	6
2" Fuel Gauge	6
Wire Harnesses / Miscellaneous	6

Suzuki Instruments

4" Speedometer	8
4" Tachometer	8
2" Fuel Gauge	8
2" Fuel Gauge	8
2" Water Pressure Gauge (0-30psi)	8
Water Pressure Gauge Installation Kit	8
2" Trim Gauge	10
2" Hour Meter	10
2" Voltmeter	10
2" Monitor Gauge	10
4" Dual Engine Synchronizer Gauge	10
Serial Indicators and Monitoring System	
Speedometers	12
Water Pressure Gauges	12
Tachometer with Monitor Gauge	14
Connection Hardware	15
4" Speedometer (0-80mph)	16
4" Speedometer (0-50mph)	16
4" Tachometer	16
4" Tachometer with Monitor Gauge	18
2" Fuel Gauge	18
2" Water Pressure Gauge (0-15psi)	18
Water Pressure Gauge Installation Kits	18
2" Trim Meter	19
2" Hourmeter	19
2" Voltmeter	19

DF300 SPC

Suzuki Precision Control (SPC) Electronic Throttle and Shift Systems for DF300	
Single Station SPC Kit, Single Engine	20
2nd Station SPC Kit, Single Engine	20
Single Station SPC Kit, Dual Engines	20
2nd Station SPC Kit, Dual Engines	20
Single Station SPC Kit, Triple Engines	20
2nd Station SPC Kit, Triple Engines	20
Flush Mount SPC Kit	20
SPC Box Only	20
Control Panel Assemblies	
Main Power Key Switch Assembly	21
Engine Control Panel Assemblies	21
Emergency Stop Switch Panel Assy	21
Wiring Harnesses	21
Replacement Wiring Harnesses	21
Battery Isolator Lead (DF300)	21

Control Boxes

Deluxe Single Binnacle Control Box	22
Deluxe Dual Binnacle Control Box	22
Deluxe Flush Mount Control Box	22
Side Mount Control Box Kits	22
Replacement Control Boxes	23
Miscellaneous Components	23
Switch Panels	24
Wiring Harnesses	24
Thru-Hull Fitting and Hose Kit ('06-'07)	24
Battery Isolator Lead	24
Suzuki Performance Remote Control Cables	25
Standard Suzuki Remote Control Cables	25

Steering

Tiller Handle Kit	26
Dual Cable Steering Kit	26
Dual Engine Tie Bar	26
Steering Cable Attachment	26
Steering Tensioner	27
Twin Engine Adapter Plate Set	27
Steering Cable End Attachment	27
Drag Link Kits	27

Fuel Systems

Compact Water Separator / Fuel Filter	28
Water Separator / Fuel Filter	28
Plastic Fuel Tanks	28
Fuel Hose Connectors	28
Fuel Connectors (Motor Side)	29
Fuel Tank Connectors	29
Fuel Hose	29

Suzuki Propellers

Information Page	30-31
4-Stroke Propellers	32-33
Propeller Hardware Kit	32
Propeller Lock	32
Bushings	32
2-Stroke Propellers	34-35
Propeller Hardware Kit	34
Propeller Lock	34
Bushings	35

Repair Kits / Zinc Anodes

Gear Case Seal Kit	36
Carburetor Repair Kit	36
Water Pump Repair Kit	36
Magnesium Anodes for Freshwater Use	37
Aluminum Anodes for Brackish/Saltwater	37
Zinc Anodes for Saltwater Use	37

Applications Chart

4-Stroke Engines Accessories	38-39
------------------------------	-------

Care & Maintenance

Oil Change Periods / Filters / Capacities	40
Marine 2-Cycle Engine Oil	40
Marine 4-Cycle Engine Oil	40
Gear Oil Capacities	41
Hypoid Gear Oil	41
Silicone Lubricant	41
Fogging Oil	41
Penetrating Lubricant Spray	41
Gear Case Filler Pump	42
Flush Kit	42
Flush Hose Attachment	42
Power Trim & Tilt Fluid	42
Water Resistant Grease	42
Suzuki Bond 1207B	42
Silicone Seal	42
Thread Locks	42
Suzuki Boat Care Kit	42
Boat Wash	42
Multi-Purpose Cleaner	42
Vinyl Cleaner / Protectant	42
Instant Detailer	42
Wheel Cleaner	43
Heavy Duty Degreaser	43
Engine Degreaser	43
Brake & Contact Cleaner	43
Fuel Injector Cleaner	43
Fuel Conditioner & Water Remover	43
Genuine Suzuki Color Matched Paint	43
Spray Carburetor & Choke Cleaner	43
Engine Covers	43

Suzuki Marine Style 44-45

Suzuki Promotional Items 46-47

SMIS

Suzuki Modular Instrument System (SMIS) uses an easy to connect and expandable cable system to transmit graphic and numerical data to Multi-Function gauges. Easy to set up and install system can be used with nearly any boat and DF40 thru DF300 Suzuki Outboard. Connected to the NMEA 2000® compatible system, the gauges can display real-time readings from compatible electronic probes and the exclusive SMIS engine interface to monitor all engine functions. (Engine Monitor with 4" gauge only).



4" Multi-Function Gauge with Combination Dual Engine Speedometer Tachometer Display



2" Multi-Function Gauge with Fuel Manager Display



4" Multi-Function Gauge with Dual Engine Tachometer Display



4" Multi-Function Gauge with Trim Gauge Display



2" Multi-Function Gauge with Fuel Gauge Display

SMIS Multi-Function Gauges

4" Multi-Function Gauge

The 4" Multi-Function Gauge uses a state-of-the-art high-contrast, dot matrix display to monitor real-time graphic and numerical digital data. When connected into the SMIS system, it can monitor all engine functions. Speedometer, Tachometer, GPS* and many others. *GPS requires additional hardware.

990C0-88001-KIT	4" Multi-Function Gauge Kit, includes:
	1 - 4" SMIS Gauge
	1 - Female Terminator
	1 - Male Terminator
	1 - 25' Network Cable
	1 - Engine Interface Cable
	1 - Power Node
	3 - T-Connectors
	1 - Operation Manual

990C0-88001	4" Multi-Function Gauge (Gauge Only)
-------------	--------------------------------------

2" Multi-Function Gauge

The 2" Multi-Function Gauge is capable of all functions of the 4" gauge except Engine Monitoring Functions. When connected to the SMIS system, it can be programmed to monitor all other functions.

990C0-88002	2" Multi-Function Gauge
-------------	-------------------------

Engine Interface and Power Cables

Suzuki Modular Instrument System Engine Interface

The most important part of the SMIS data system. DF40 thru DF250 Suzuki Outboards can connect to the system using the exclusive SMIS Engine Interface. (Adaptor Cable also needed for DF300 applications.)

990C0-88034	Suzuki Modular Instrument System Engine Interface
-------------	---

SMIS Adapters

Special Adaptor must be used with SMIS Engine Interface to connect the DF300 Outboard to the system.

990C0-88031	Single adapter with power and DF300 harness connection to engine interface
990C0-88032	Dual adapter with power and DF300 harness connection to engine interface
990C0-88033	Triple adapter with power and DF300 harness connection to engine interface
990C0-88035	Adaptor for 2008 Engines

SMIS Power Cable

Fused (3A) lead connects extension cable to the power source.

990C0-88012	SMIS Power Cable
-------------	------------------



Multiple T-Connectors
Linking Compatible Devices

Terminating Resistor

T-Connector

GPS Receiver Module

Connection Hardware (cont'd)

NMEA Adaptor Harness

Allows connection to other NMEA devices (Device NET).

990CO-88029 NMEA Adaptor Harness

Sensors

Fluid Level Sensor

Monitors fluid levels such as fuel, live well water level, etc. 10ft cable.

990CO-88016 Fluid Level Sensor

Speed Sensor

Paddle wheel-type speed sensor. 10ft cable.

990CO-88017 Speed Sensor

Temperature Sensor

Surface Water Temperature sensor. 10ft cable.

990CO-88018 Temperature Sensor

990CO-88019 Temperature Sensor
(Thru Hull Type)

GPS Reciver Module

GPS receiver module interface for display of accurate location and speed on Multi-Function Gauges.

990CO-88020 GPS Reciver Module

Optional Instrument Trims

Change the standard black bezel to suit your application. 4 different bezel finishes to choose from for 2" or 4" Multi-Function gauges.

990CO-88021-6PK Chrome Bezel 4"

990CO-88022-6PK Gold Bezel 4"

990CO-88023-6PK White Bezel 4"

990CO-88025-6PK Chrome Bezel 2"

990CO-88026-6PK Gold Bezel 2"

990CO-88027-6PK White Bezel 2"



Connection Cable

The Extension Cable is the mainline of the Suzuki Modular Instrument System. Data communication runs the length of the boat, capped at each end with a 120 ohm Terminating Resistor. NMEA 2000 compatible sensors or other devices can be added by the use of T-connectors throughout the system.

990CO-88003 1' Extension cable

990CO-88004 2' Extension cable

990CO-88005 6' Extension cable

990CO-88006 12' Extension cable

990CO-88007 15' Extension cable

990CO-88008 25' Extension cable

Connection Hardware

T-Connector

T-connectors link all compatible cable, data and sensor devices and can be easily secured.

990CO-88010 T-connector

Terminating Resistors

120 ohm Terminating Resistors are required for any open cable ends in the system.

990CO-88013 Terminating Resistor 120 ohm
Female

990CO-88014 Terminating Resistor 120 ohm
Male

Power Node

Allows network to be powered from multiple power sources (key switch, accessory switch, etc...).

990CO-88030 Power Node

SUZUKI COMMANDER™

The Commander™ Series of high quality instruments combine analog and LC displays with the latest in Marine electronic technology. Easy to install 2" and 4" gauges are available in white or black face display.



Commander Series

4" Speedometer

Multi-function analog Speedometer features built-in LCD showing Trip Log, Depth Sounder with Deep and Shallow Alarms. Displays depth in feet, meters and fathoms.

99000-86W26	White
99000-86B20	Black

4" Tachometer

Multi-function analog Tachometer features built-in LCD showing Fuel Level, Fuel Management, Fuel Flow, Trip Fuel Log, Fuel Remaining. Also displays all Standard Suzuki Monitor functions.

99000-86W27	White
99000-86B21	Black

4" Speedometer and Tachometer Sets

Set includes Speedometer, Tachometer, Transducers and Wire Harness packaged in a special display box.

99000-86W30	Commander Set, White
99000-86B25	Commander Set, Black

2" Fuel Manager Gauge

Fuel Manager gauge features include a display of Fuel Remaining, Fuel Flow, Trip Fuel Log and Total Fuel Log displayed in gallons and liters, selectable low fuel audible alarm and Fuel Flow Sender.

99000-86W01	White
99000-86B00	Black

Wire Harness / Misc

The following items are necessary if gauge only is needed or if replacement transducer or wire harness is needed.

99000-86031	Transducer Speed/Depth
99000-86032	Transducer Fuel flow
99000-86033	Red Light Set (5)
99000-86036	Tachometer Harness
99000-86037	Speedometer Power Harness



Speedometer



Tachometer



Fuel Manager

SUZUKI INSTRUMENTS

Economically priced, high quality instruments feature easy plug-in wiring connections, perimeter-lighted dial, polished stainless steel bezels, contoured pointers and fog resistant glass lenses. All use standard 2" or 4" diameters for easy dash installation.



4" Speedometer

Easy to read 4" Speedometer features include lighted dial, contoured pointer and fog resistant glass lens.

*Requires Tubing 99105-80009.

99105-80102	White 0-60 mph
99105-80002	Black 0-65 mph
99105-80009*	Speedometer Tubing

4" Tachometer

7,000 max R.P.M. Tachs are available with or without 4-Stroke monitor functions. Monitor functions include: Low Oil Pressure Warning, Engine Temperature Warning, Check Engine Warning and Over-Rev Limit Warning.

99105-80100	Without monitor functions, White
99105-80101	With monitor functions, White
99105-80000	Without monitor functions, Black
99105-80001	With monitor functions, Black

2" Fuel Gauge

Adding a Fuel Gauge can help you monitor fuel level. Connects easily using your boat's fuel sending unit harness.

99105-80103	White
99105-80003	Black

2" Trim Gauge

To help maintain steering stability and good performance, proper trim angle is essential. The Trim Gauge helps you monitor the trim angle. For use with 2-wire senders.

99105-80105	White
99105-80005	Black



Speedometer





Tachometer



Fuel Gauge



Trim Gauge



SUZUKI INSTRUMENTS

2" Water Pressure Gauge (0-30psi)

Bourdon-tube type gauge measures cooling water pressure. Instructions and dash installation hardware included. Order Installation kit for appropriate model.

99105-80104	White
99105-80004	Black

Water Pressure Gauge Installation Kits

Kit includes fittings and hoses needed for motor to gauge connection.

34660-93J00	DF200/225/250
34660-96J00	DF150/175
34660-90J00	DF90/115/140
34660-99E00	DF60/70
34660-87J00	DF40/50
34660-89J00	DF25/30

2" Hour Meter

Handy Hour Meter helps you keep track of the time between services.

99105-80107	White
99105-80007	Black

2" Voltmeter

To help your Suzuki motor to run at its best, monitor the charging system functions with a voltmeter.

99105-80106	White
99105-80006	Black

2" Engine Monitor Gauge

Engine Monitor Gauge for 4-stroke engines helps alert you to low oil pressure, high engine temperature and engine over-rev.

99105-80108	White
99105-80008	Black

4" Dual Engine Synchronizer Gauge

Designed to help fine tune engine synchronization accurately when the speeds of two engines are compared to each other.

99000-86W41	White
99000-86B40	Black



Water Pressure Gauge



Hour Meter





Dual Engine Synchronizer Gauge



Voltmeter



Monitor Gauge



SUZUKI INSTRUMENTS

Tachometers and Speedometers feature Suzuki's innovative Serial Indicator and Monitoring System, putting a wealth of information at your fingertips.



Serial Indicators and Monitoring System

Speedometers

Speedometer functions include digital readouts for: Boat Speed, Fuel Level, Water Temperature, Fuel Consumption, and Water Depth.

34100-98J00	4" Speedometer 80 mph, Black
34100-98J10	4" Speedometer 80 mph, White
34100-98J20	4" Speedometer 50 mph, Black
34100-98J30	4" Speedometer 50 mph, White
34120-98J00*	Speedometer Sender Assy

*Used only if sender integrated on speedometer can not detect correct boat speed.

Water Pressure Gauges

Water Pressure Gauges require Sensor Kit 34970-98J00 for installation.

34650-98J00	Water Pressure Gauge, Black
34650-98J10	Water Pressure Gauge, White
34960-98J00	Water Pressure Connector
34970-98J00	Water Pressure Sensor Kit
34115-98J00	Water Pressure Connector



Speedometer,
50mph



Speedometer, 80mph



Water Pressure Gauge

SUZUKI INSTRUMENTS



Serial Indicators and Monitoring System (cont'd)

Tachometers

Tachometer monitors and indicates these functions on the digital window of the gauge: Engine RPM, Trim Angle, Cooling Water Pressure, Fuel Consumption, Engine Temperature, Battery Voltage, Engine Hourmeter, and Shift Position. Gauge also indicates warning alarms for: Engine Over Rev, Engine Overheat, Low Oil Pressure, Low Battery Voltage, Oil Change Reminder, and Check Engine Warning.

34200-98J00	4" Tachometer, Black
34200-98J10	4" Tachometer, White

2" Gauges

2" Gauges can be mixed and matched for the application. Includes 2" Gauge Harness 36664-98J10

34300-98J00	Fuel Gauge, Black
34300-98J10	Fuel Gauge, White
34600-98J00	Voltage Meter, Black
34600-98J10	Voltage Meter, White
34800-98J00	Trim Gauge, Black
34800-98J10	Trim Gauge, White



Tachometer

Fuel Gauge



Voltage Meter



Trim Gauge



Tachometer

Fuel Gauge



Voltage Meter



Trim Gauge

Connection Hardware

4" Gauge Harness

36664-98J00 Order as needed.

2" Gauge Harness

36664-98J10 Optional, order as needed.

8 Pin Connector Cap

36666-98J00 Used if no speedometer is installed

6 Pin Connector Cap

36666-98J10 Use for all applications.

Jump Wire

36665-98J00 Use for all applications.

2 Pin Connector Cap

36667-98J00 All Second Station use.

Active Hub Unit Complete

34921-98J00 Necessary for use with all gauges.

Passive Hub Unit Complete

34921-98J10 Necessary for Second Station use.

Interface Unit Complete

34922-98J00 Necessary for use with all gauges.

Resistor Harness Assembly

36668-98J00 Necessary for Single Engine, 2nd Station use.

3' Interface Harness Assembly

36661-98J00 Used on all applications.

3' Hub Harness Assembly

36662-98J00 Necessary for Triple Engine, 2nd Station use.

21' Hub Harness Assembly

36662-98J10 Necessary for all Second Station use.

Active Hub Power Harness Assembly

Length determined by battery location.

36663-98J00 10' Active Hub Power Harness Assy

36663-98J10 20' Active Hub Power Harness Assy

SUZUKI INSTRUMENTS

Genuine Suzuki Instruments are custom-designed to provide the quality, reliability and value you expect from Suzuki Products. The wide selection allows you to accurately monitor a variety of essential functions. All instruments are lighted for night time boating and feature standard 2" and 4" diameters for easy installation.



4" Speedometer 0-80mph

Bourdon-tube type speedometer with readings in M.P.H. and Km/h. Includes vinyl tube, plus all installation instructions and hardware. *Pitot tube 34190-87D00 must be ordered separately for DF50 and under models.

34100-93J11	White
34100-93J00	Black

4" Speedometer 0-50mph

34100-93J31	White
34100-93J20	Black
34190-87D00*	Pitot Tube*

4" Tachometer

Full scale 7000 R.P.M. Tachometer can be used on all electric start models by using 4, 6 or 12 pole switch on rear of meter. Lead wire, mounting hardware and instructions included.

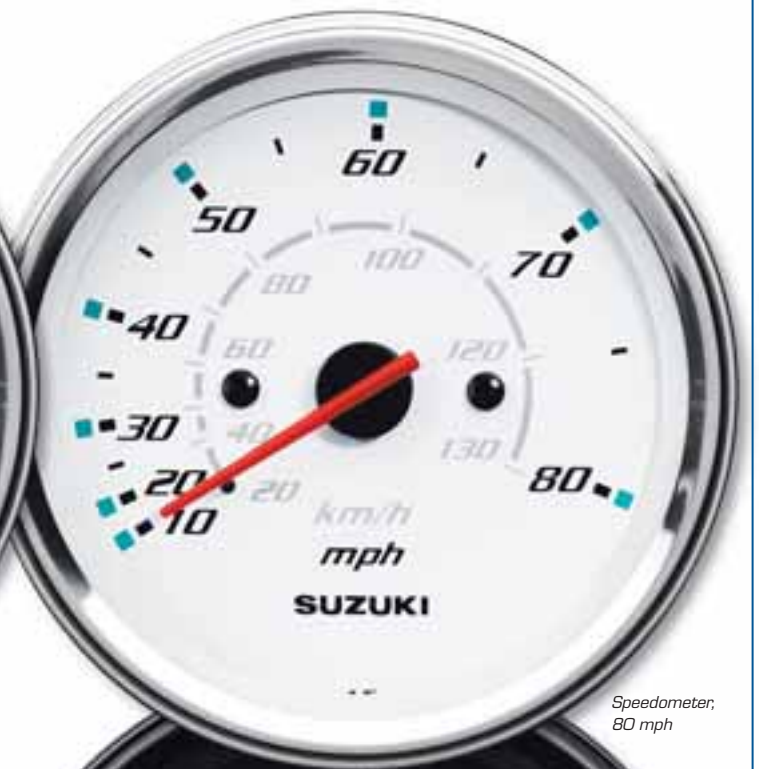
34200-93J31	White
34200-93J20	Black



Tachometer



Speedometer,
50 mph



Speedometer,
80 mph



SUZUKI INSTRUMENTS



4" Tachometer with Monitor Gauge

Tachometer, hour meter and warning lights are built into a single gauge. Mounting hardware and instructions included.

34200-93J11	White
34200-93J00	Black

2" Fuel Gauge

Operates on 12 volts with magnetically damped needle. Works with most fuel tank sending units.

34300-93J11	White
34300-93J00	Black

2" Water Pressure Gauge (0-15psi)

Bourdon-tube type gauge measures cooling water pressure. Instructions and dash installation hardware included. Order Installation kit for appropriate model.

34650-93J31	White
34650-93J20	Black

Water Pressure Gauge Installation Kits

Kit includes fittings and hoses needed for motor to gauge connection.

34660-93J00	DF200/225/250
34660-96J00	DF150/175
34660-90J00	DF90/115/140
34660-99E00	DF60/70
34660-87J00	DF40/50
34660-89J00	DF25/30



Tachometer with Monitor Gauge



Water Pressure Gauge



Voltmeter



Fuel Gauge



Trim Meter



Hourmeter



Tachometer with Monitor Gauge

2" Trim Meter

Magnetic type gauge shows trim angle for optimum performance and efficiency.

34800-93J11	White
34800-93J00	Black

2" Hourmeter

12 volt electric motor driven meter indicates the number of hours your outboard motor has been operated to indicate when periodic services are necessary.

34500-93J11	White
34500-93J00	Black

2" Voltmeter

To help your Suzuki Outboard Motor run at its best, monitor the charging system functions with a voltmeter.

34600-93J11	White
34600-93J00	Black

Fuel Gauge



Water Pressure Gauge



Trim Meter



Hourmeter



Voltmeter



DF300 SPC ACCESSORIES

Suzuki's flagship DF300 4-stroke leads in power, performance and technology. Following are some high-tech items to help take advantage of Suzuki's leading edge technology.



Suzuki Precision Control (SPC) Electronic Throttle and Shift Systems for DF300

Suzuki Precision Control (SPC) offers DF300 boaters the latest in technologically advanced control systems. Suzuki Precision Control is a computer-based electronic "Fly-by-Wire" system eliminating mechanical control cables. While you enjoy smooth, friction-free throttle operation, the system's computer is processing and transmitting commands in real-time to actuators at the engine delivering precise throttle control with smoother, decisive shifting.

Single Station SPC Kit, Single Engine

67000-98J00 Kit contents:

09407-08401	Buzzer clamp (1)
33925-93J00	ECU cushion (1)
33926-98J00	Resistor Terminal (2)
36623-98J00	BCM No. 1 Harness Assy for Single Engine Single Station
36625-98J00	Battery wire
36770-98J00	BCM Unit
36775-98J00	BCM Holder-L
36776-98J00	BCM Holder-R
37100-98J00	Main Switch Panel Assy
37100-98J10	Single Panel Assy
38500-93J90	Warning Buzzer
67200-98J00	Single Engine Remote Control Assy
33911-88BLO	BCM Connector Cap
09403-13402	Harness Clamp(10)

2nd Station SPC Kit, Single Engine

67000-98J10 Kit contents:

09407-08401	Buzzer Clamp
33925-93J00	ECU cushion
36622-98J00	Dual Station Main Harness Assy
36624-98J00	BCM No. 2 Harness Assy for Single Engine Second Station
36770-98J00	BCM Unit
36775-98J00	BCM Holder-L
36776-98J00	BCM Holder-R
37100-98J10	Single Panel Assy
37803-93J00	Emergency Stop Panel Assy
38500-93J90	Warning Buzzer
67200-98J00	Single Engine Remote Control Assy
33911-88BLO	BCM Connector Cap
09403-13402	Harness Clamp(10)



Single Engine Remote Control Assembly



Dual and Triple Engine Remote Control Assembly

Single Station SPC Kit, Dual Engines

67000-98J20 Kit contents:

09407-08401	Buzzer Clamp
33925-93J00	ECU cushion
33926-98J00	Resistor Terminal(2)
36621-98J00	Dual Station Harness Assy
36623-98J10	BCM No. 1 Harness Assy for Dual Engine Single Station
36625-98J00	Battery wire
36770-98J00	BCM Unit
36775-98J00	BCM Holder-L
36776-98J00	BCM Holder-R
37100-98J00	Main Switch Panel Assy
37100-98J20	Dual Panel Assy
38500-93J90	Warning Buzzer
67200-98J10	Dual Engine Remote Control Assy
09403-13402	Harness Clamp(15)

2nd Station SPC Kit, Dual Engines

67000-98J30 Kit contents:

09407-08401	Buzzer Clamp
33925-93J00	ECU cushion
36622-98J00	Dual Station Main Harness Assy
36624-98J10	BCM No. 2 Harness Assy for Dual Engine Second Station
36770-98J00	BCM Unit
36775-98J00	BCM Holder-L
36776-98J00	BCM Holder-R
37100-98J20	Dual Panel Assy
37803-93J00	Emergency Stop Panel Assy
38500-93J90	Warning Buzzer
67200-98J10	Dual Engine Remote Control Assy
09403-13402	Harness Clamp(10)

Single Station SPC Kit, Triple Engines

67000-98J40 Kit contents:

09407-08401	Buzzer clamp
33925-93J00	ECU cushion
33926-98J00	Resistor Terminal(2)
36621-98J10	Triple Engine Harness Assy
36623-98J10	BCM No. 1 Harness Assy for Triple Engine Single Station
36625-98J00	Battery wire
36770-98J00	BCM Unit
36775-98J00	BCM Holder-L
36776-98J00	BCM Holder-R
37100-98J00	Main Switch Panel Assy
37100-98J30	Triple Panel Assy
38500-93J90	Warning Buzzer
67200-98J10	Dual Engine Remote Control Assy
09403-13402	Harness Clamp(18)

2nd Station SPC Kit, Triple Engines

67000-98J50 Kit contents:

09407-08401	Buzzer clamp
33925-93J00	ECU cushion
36622-98J00	Dual Station Main Harness Assy
36624-98J10	BCM No. 2 Harness Assy for Triple Engine Second Station
36770-98J00	BCM Unit
36775-98J00	BCM Holder-L
36776-98J00	BCM Holder-R
37100-98J30	Triple Panel Assy
37803-93J00	Emergency Stop Panel Assy
38500-93J90	Warning Buzzer
67200-98J10	Dual Engine Remote Control Assy
09403-13402	Harness Clamp(10)



Flush Mount
Remote Control
Assembly

Flush Mount SPC Kit

67000-98J60 Kit contents:

09407-08401	Buzzer clamp (1)
33925-93J00	ECU cushion (1)
33926-98J00	Resistor Terminal (2)
36623-98J00	BCM No.1 Harness Assy for Single Engine Single Station
36625-98J00	Battery wire
36770-98J00	BCM Unit
36775-98J00	BCM Holder-L
36776-98J00	BCM Holder-R
37100-98J00	Main Switch Panel Assy
37100-98J10	Single Panel Assy
38500-93J90	Warning Buzzer
67200-98J20	Flush Mount Remote Control Assy

SPC Box Only (replacement units)

67200-98J00	Single Engine SPC Box only
67200-98J10	Dual and Triple Engine SPC Box only
67200-98J20	Flush Mount SPC Box only



Single Engine Control Panel Assembly



Dual Engine Control Panel Assembly



Triple Engine Control Panel Assembly



Main Power Key
Switch Assembly



Emergency Stop
Switch Panel Assy

Control Panel Assemblies

Main Power Key Switch Assembly

Main Power Key Switch required for use with switch control panels listed below. Includes key.

37100-98J00* Main Power Key Switch Assembly

Control Panel Assemblies

Single to multiple engine, single or second station, select the panel needed for your application.

*Requires Main Switch Assembly 37100-98J00.

37100-98J10	Single Engine Control Panel Assy
37100-98J20	Dual Engine Control Panel Assy
37100-98J30	Triple Engine Control Panel Assy

Emergency Stop Switch Panel Assembly

Includes: E-Stop Switch with Panel and Lanyard.

37803-93J00 Emergency Stop Switch Panel Assy

Wiring Harnesses

Main Wiring Harness. Order length as needed for rigging applications.

36620-98J00	21' (6.5m) Wiring Harness
36620-98J10	31' (9.5m) Wiring Harness
36620-98J20	6.5' (2m) Wiring Harness Extension (Optional; order as needed)

Replacement Wiring Harness

36621-98J00	Dual Engine Single Station Harness
36621-98J10	Triple Engine Single Station Harness
36622-98J00	Dual Station Main Harness
36770-98J00	Boat Control Module (BCM)
36623-98J00	BCM Harness No1 For Single Engine Single Station
36623-98J10	BCM Harness No1 For Multiple Engines Single Station
36624-98J00	BCM Harness No 2 for Single Engine Second Station
36624-98J10	BCM Harness No 2 for Multiple Engine Second Station

Battery Isolator Lead Set

33830-98J01 Used for charging auxillary battery DF300

CONTROL BOXES CABLES & RIGGING



Deluxe Control Box Kits

Single Binnacle Control Box Kit

Deluxe single Binnacle control Box uses a convenient thumb-operated power trim and tilt switch, push-button shifting disengagement for faster warm ups and built-in neutral safety switch. Kit includes items listed. *Main Wiring Harness must be ordered separately.

67000-93J00*	Kit contents:
37100-96J20	Ignition Switch Panel with Emergency Stop and Warning Buzzer Assembly
67200-93J12	Deluxe Single Binnacle Control Box Assembly

Dual Binnacle Control Box Kit

Deluxe Dual Binnacle control Box includes the same features as the single binnacle control box, plus a unique base mounted PTT system allowing you to trim the motors individually then adjust them together for maximum performance. Kit includes items listed. *Main Wiring Harness must be ordered separately.

67000-93J10*	Kit contents:
37100-96J10	Dual Ignition Switch with Emergency Stop
38500-93J00	Warning Buzzers (2)
67200-93J22	Deluxe Dual Binnacle Control Box Assembly

Flush Mount Binnacle Control Box Kit

Suzuki top quality flush mount control box features include a smooth action, thumb control power trim and tilt switch, a push button to disengage the shifting for faster warm-ups and a built in neutral safety switch. Reversible for left hand installations. Kit includes items listed. *Main Wiring Harness must be ordered separately.

67000-93J20*	Kit contents:
37100-96J20	Ignition Switch Panel with Emergency Stop and Warning Buzzer Assembly
67200-93J30	Deluxe Flush Mount Control Box

Side Mount Control Box Kits

Side Mount Control Boxes can be tailored to your needs. Standard features include a fast idle lever for easy warm-ups, a key-type ignition switch, an emergency stop switch and a 21' wiring harness.

67200-91J00	DF4/6	'03 - '08
67200-89E30	DF9.9/15	<'04
67200-94J10*	DF9.9/15	'05 - '08
67200-99E50	DF25/30	'00 - '04
67200-94J10*	DF25/30	'05 - '08
67200-99E50	DF40/50	'99 - '04
67200-93J00*	DF40/50	'05 - '08
67200-93E50	DF60/70	'98 - '04
67200-93J00*	DF60/70	'05 - '08
67200-93E50	DF90/115/140	'01 - '04
67200-93J00*	DF90/115/140	'05 - '08
67200-93J00*	DF150/175	'06 - '08
67200-93J00*	DF200/225/250	'05 - '08

*Requires: 36620-93J00: 21' Main Wire Harness, 36620-93J50: 16' Main Wire Harness
36620-93J60: 28' Main Wire Harness

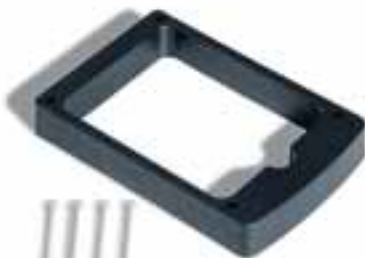


Deluxe Flush Mount Control Box

Deluxe Single Binnacle Control Box



Single Binnacle Control Box Spacer



Dual Binnacle Control Box Spacer

Deluxe Control Boxes

Replacement Control Boxes

67200-93J12	Single Binnacle Control Box	'05 - '08
67200-93J22	Dual Binnacle Control Box	'05 - '08
67200-93J30	Flush Mount Control Box	'05 - '08

Miscellaneous Components

38500-93J00	Warning Buzzer. Replacement Warning Buzzer for DF models.
36620-93J20	Control Box Adaptor. Adapts 2005+ model control box to 2004 and earlier motors.
36620-93J30	Wire Harness Adaptor. Adapts 2005+ model engine to 2004 and earlier harness.
67500-93J00	Dual Binnacle Control Box Spacer
67500-93J10	Single Binnacle Control Box Spacer



Deluxe Dual Binnacle Control Box



Side Mount Control Box

CABLES & RIGGING



Single Engine Switch Panel Assembly



PTT Switch Panel Assembly



Emergency Stop Switch Control Panel



Single Engine Ignition and Emergency Stop Switch Control Panel



Dual Engine Ignition and Emergency Stop Switch Control Panel

Switch Panels

Genuine Suzuki Switch panel assemblies are designed to match and connect with other Suzuki components for easy installation and trouble-free operation.

37100-96J00	Single Engine Ignition Switch Panel Assembly. Includes wiring and hardware.
37100-96J10	Dual Engine Ignition and Emergency Stop Switch Panel Assembly. Includes wiring, hardware and stop switch lanyard.
37100-96J20	Single Engine Ignition and Emergency Stop Switch Panel Assembly. Includes wiring, hardware and stop switch lanyard.
990C0-20000	Emergency Stop Switch Lanyard. Replacement Lanyard.

Switch Panels (cont'd)

37803-93J00	Emergency Stop Switch Panel Assembly. Includes wiring, hardware and lanyard.
37805-93J00	P.T.T. Switch Panel Assembly. Includes wiring and hardware.

Wiring Harness

Main Wiring Harness. Order length as needed for rigging applications.

36620-93J50	16' Wiring Harness
36620-93J00	21' Wiring Harness
36620-93J60	26' Wiring Harness
36620-93J10	6' Wiring Harness Extension
36620-93J40	10' Wiring Harness Extension

Battery Isolator Lead Set

33830-96J00	Used for charging auxiliary battery
-------------	-------------------------------------

Thru-Hull Fitting and Hose Kit 2006-2007 Models*

ONLY for 2006-2008 DF150/175/200/225/250/DF300 models, Thru-Hull fitting and Hose kit can handle single, dual and triple motor installations. One kit is necessary for each motor used.

*NOTE: Will not fit 2004-2005 DF Motors.

When attaching the rigging tube to the motor, an **Adapter Kit 67300-93J00 is also required for each motor.

990C0-20010	DF150 - 300 '06 - '08
Kit Includes:	
1 - 4' Black Hose	1 - Fuel Hose Port
1 - 2' Thru-Hull Fitting	2 - Stainless Steel Bolts and Nuts
67300-93J00**	Adapter Kit for 990C0-20010 '06 - '08



Emergency Stop Switch Lanyard



Thru-Hull Fitting and Hose Kit

Suzuki Performance Remote Control Cables



Splined core for high efficiency and minimal backlash

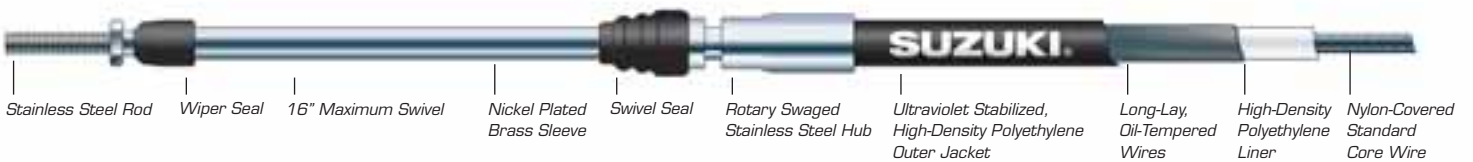
Black HDPE super tough casing

Oil tempered reinforced lay wire for high strength and flexibility

Heavy-duty HDPE inner liner for minimal drag and long life

Adapter Kit

Standard Suzuki Remote Control Cables



Stainless Steel Rod | Wiper Seal | 16" Maximum Swivel | Nickel Plated Brass Sleeve | Swivel Seal | Rotary Swaged Stainless Steel Hub | Ultraviolet Stabilized, High-Density Polyethylene Outer Jacket | Long-Lay, Oil-Tempered Wires | High-Density Polyethylene Liner | Nylon-Covered Standard Core Wire

Suzuki Performance Cables

Suzuki Performance Cables have a unique design that incorporates a patent-pending splined core. Ridges on the core to allow a close fit to the cable's inner liner with minimum contact, allowing the core to glide back and forth smoothly. All cables are factory tested and approved for heavy use applications. Order cable length as needed.

99105-11001-012	12'	99105-11001-022	22'
99105-11001-013	13'	99105-11001-023	23'
99105-11001-014	14'	99105-11001-024	24'
99105-11001-015	15'	99105-11001-025	25'
99105-11001-016	16'	99105-11001-026	26'
99105-11001-017	17'	99105-11001-027	27'
99105-11001-018	18'	99105-11001-028	28'
99105-11001-019	19'	99105-11001-029	29'
99105-11001-020	20'	99105-11001-030	30'
99105-11001-021	21'		

Standard Suzuki Remote Control Cables

Suzuki Standard Cables cables employ the latest in cable technology. The nylon encased inner core moves smoothly in a high-density polyethylene liner (HDPE) decreasing friction, increasing efficiency by 44% over standard bare wire type cables. Order cable length as needed.

99105-11000-008	8'	99105-11000-017	17'
99105-11000-009	9'	99105-11000-018	18'
99105-11000-010	10'	99105-11000-019	19'
99105-11000-011	11'	99105-11000-020	20'
99105-11000-012	12'	99105-11000-021	21'
99105-11000-013	13'	99105-11000-022	22'
99105-11000-014	14'	99105-11000-023	23'
99105-11000-015	15'	99105-11000-024	24'
99105-11000-016	16'	99105-11000-025	25'

STEERING



Tiller Handle Kit

Dual Cable Steering Kit

Tiller Handle Kits

Tiller Handle kits are designed for easy installation for selected electric start models. Kit includes ignition switch, engine stop switches, wiring harness, cables and grommets.

63001-94J00-OEP	DF9.9/15		'05 - '08
63001-93E23-OEP	DF9.9/15		'99 - '04
63001-89J05-OEP	DF25/30	No PTT Switch	'00 - '04
63002-87J23-OEP	DF40/50		'05 - '08
63002-87J06-OEP	DF40/50		'99 - '04
63002-99E22-OEP	DF60/70	w/ SteeringTensioner	'05 - '08
63002-99E06-OEP	DF60/70	w/ SteeringTensioner	'98 - '04
63002-90J22-OEP	DF90/115	w/ HydraulicTensioner	'05 - '08
63002-90J03-OEP	DF90/115	w/ HydraulicTensioner	'01 - '04

Dual Cable Steering Kit

Kit allows you to attach two steering cables for added reliability.

99105-10004 DF150-DF300

Dual Engine Tie Bar

Stainless steel tie bar for dual engine steering adjustable up to 36".

99105-10006 DF40-DF140

Steering Cable Attachment

Steering Cable Attachment must be used when installing through-tilt-tube steering to ensure steering angles equally to the right and left.

41141-89E00 DF9.9/15 '97 - '08



Dual Engine Tie Bar



Steering Tensioner



Drag Link

Steering Cable Attachment



Twin Engine Adapter Plate Set



Steering Cable End Attachment

Steering Tensioner

Preload tension on the tiller handle for easier operation with a Steering Tensioner.

43770-99E00	DF60/70
-------------	---------

Twin Engine Adapter Plate Set

Adapter plates are used when installing a tie bar on a DF90/115/140.

99105-10005	DF90/115/140
-------------	--------------

Steering Cable End Attachment

Connect the steering cable to the outboard motor using the Steering Cable End Attachment. Refer to parts microfiche for additional parts required.

43755-93E02-Z11	DF9.9/15	'97 - '98
43755-93E02-0EP	DF9.9/15	'99 - '08
43755-89J00	DF25/30	'00 - '07

Drag Link Kits

Corrosion-resistant stainless steel Drag Links are specially designed for use with Suzuki Outboard Motors.

67701-93E12	DF9.9/15	'97 - '08
67701-89J20	DF25/30	'00 - '07
67701-95J00	DF25 V-Twin	'06 - '08
67701-87J11	DF40/50	'99 - '08
67701-87J11	DF60/70	'98 - '08
67701-90J00	DF90/115/140	'01 - '08
67701-96J00	DF150/175	'06 - '08
67700-93J00	DF200/225/250/300	'04 - '08

FUEL SYSTEMS



Compact Water Separator/Fuel Filter

Compact size Water Separator/ Fuel Filter is ideal for smaller boat-motor combinations of up to 140 H.P. Not for V6 Models.

99105-20006	Replacement Filter
99105-20006-ASY	Complete Assembly
99105-20006-BWL	Bowl and Drain Valve Assembly

Water Separator/Fuel Filter

State-of-the-art filter removes water and other contaminants from the fuel before they reach your engine. It features a transparent removable bowl for easy viewing of fuel condition and a drain valve for water and other impurities. Due to the high flow rate capabilities of this filter system, a special large diameter thread is used. Use only Genuine Suzuki Replacement Filter 99105-20005.

99105-20005	Replacement Filter
99105-20005-ASY	Complete Assembly
99105-20004-BWL	Bowl and Drain Valve Assembly

Plastic Fuel Tanks

Constructed of tough, lightweight, high-density polyethylene and made to "Underwriters Laboratory® Standard UL1185" to safely and conveniently meet your boating needs.

65000-99100	3 Gallon Tank without Fuel Level Gauge
65000-95000	6 Gallon Tank with Fuel Level Gauge
65520-99100	Replacement Fuel Cap for 3 Gallon Tank 65000-99100
65520-95000	Replacement Fuel Cap 6 Gallon Tank 65000-95000

Fuel Hose Connectors

Quick connect and disconnect female fittings fit either hose end.

65750-98505	ID: 11mm	Metal for small diameter hoses
65750-93000	ID: 13mm	Metal for small diameter hoses
65750-95500	ID: 13mm	Metal for large diameter hoses
65750-94404	ID: 13mm	Plastic DT4-140
65750-87J10		Plastic DF4-140



Compact Water Separator/Fuel Filter

Water Separator/Fuel Filter



Plastic Fuel Tanks



Fuel Hose Connectors



Fuel Connectors
(Motor Side)



Fuel Tank Connectors

Fuel Connectors (Motor Side)

Male connectors are located on the motor side, for fuel hose attachment.

65720-98520	OD:11mm	Plated Brass DT3.5 – 65
65720-95511	OD:13mm	Plated Brass DT75 – 140
65720-94401	OD:13mm	Plastic DT4 – 65
65720-94411	OD:13mm	Plastic DT75 – 140
65721-87D00	OD:13mm	Plastic DT150 – 225
65720-986B0		Plastic DF4 – 140

Fuel Tank Connectors

Fuel tank connectors are available in stainless steel with metric thread and plated brass with 1/4" NPT.

65720-98590	OD: 11mm	Metric All Models
65740-95500	OD: 13mm	Metric All Models
99105-00192	OD: 11mm	1/4" NPT U.S. Tanks
99105-00193	OD: 13mm	1/4" NPT U.S. Tanks

Fuel Hose

Fuel Hose selection depends on your motor and fuel tank. Please consult your local Suzuki Dealer.



Fuel Hose

SUZUKI PROPELLERS



SUZUKI PROPELLERS

Propeller selection is very important in the performance of your boat. Acceleration, speed, fuel efficiency, stability and engine RPM's all are affected by the propeller selected. Operating requirements and conditions will also affect which design, style and pitch of propeller you may choose to meet your individual needs. The boat and engine combination may have already been tested by your dealer or the boat manufacturer for the appropriate propeller size. Your Suzuki Dealer can assist you with the process to determine the correct propeller for your application.

STAINLESS STEEL PROPELLERS

Suzuki Stainless Steel Propellers offer higher performance and greater durability than aluminum propellers. The aggressive design of these propellers enhances the overall performance of your boat and the durability of the stainless steel construction will give you long term dependability. Your Suzuki Stainless Steel propeller is also fitted with a rubber cushion hub to help absorb vibration and shock should you strike a foreign object.

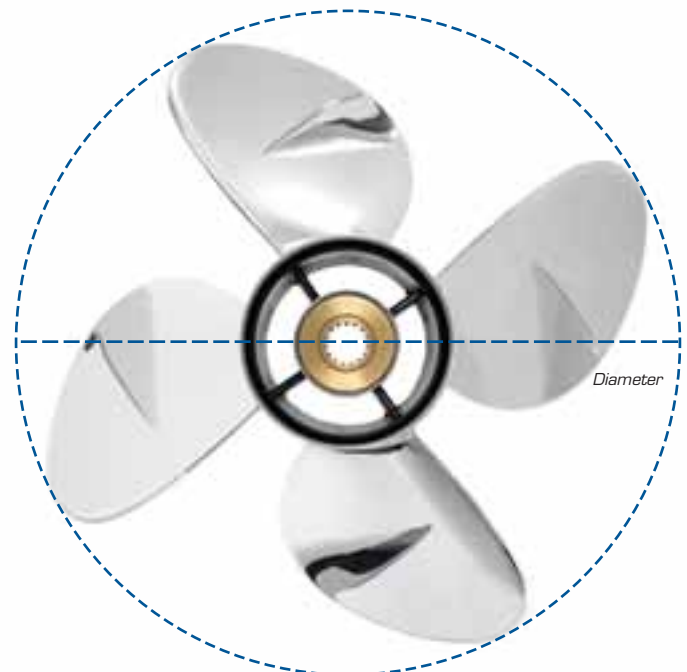


PROPELLER SIZING

When referring to propeller size, such as 13 x 18, the first number details the diameter of the propeller and the second number is the pitch of the propeller. The pitch is the most significant number in the description. The diameter is usually predetermined by the propeller engineers and is based on the size and series of the engine.

DIAMETER

Diameter is considered to be the distance across an imaginary circle that is made when a propeller is rotated. Diameter is determined during the engineering process of designing a propeller and is usually based on requirements to meet the needs of engine size, gear case design, horsepower and speed.





PROPELLER CUP

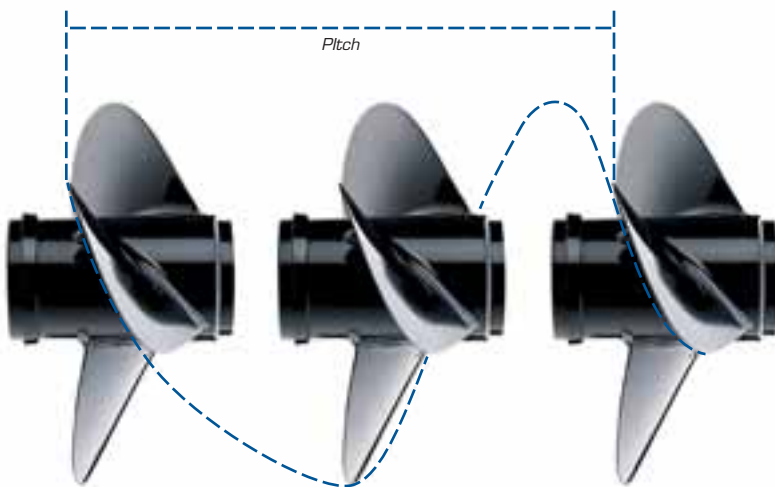
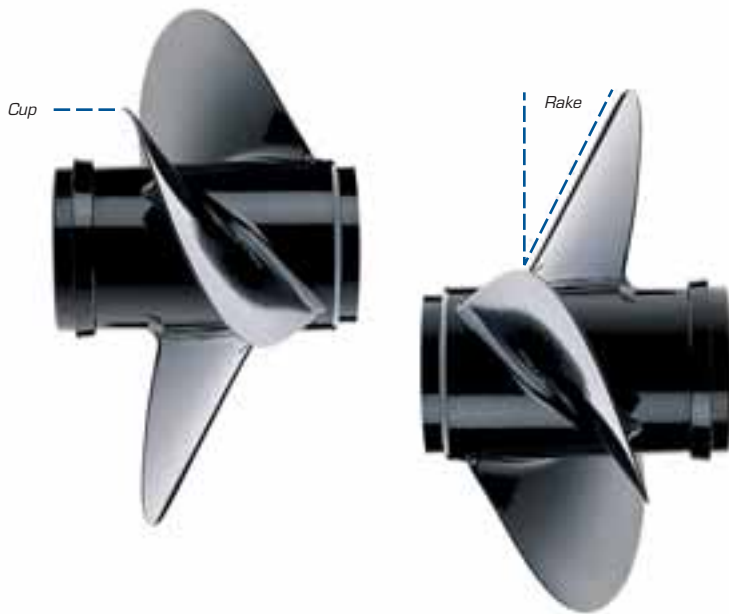
Cup is used to reduce the slip and ventilation of the propeller. This will allow you to operate your engine at a higher transom mounting and allow you to use more trim for bow lift. The cup refers to the area along the trailing edge of the propeller blade that has an increased pitch in the last 1/2" of the blade surface and extends to the blade tip.

RAKE

Rake is described as the angle, in degrees, that the propeller blades are mounted to the "barrel" of the propeller. The blades of a zero degree rake propeller are mounted perpendicular to the "barrel" of the propeller. The blades of a higher rake propeller angle more to the rear of the propeller. A propeller with a high rake design will hold the water on the blades longer during operation and will ventilate less at higher engine heights. High rake propellers will produce higher thrust that will help lift the bow of the boat more effectively.

PITCH

Pitch is used to describe the theoretical distance that a propeller "cork screws" through the water in inches of forward travel. In theory, an 18" pitch propeller would move ahead 18" with each complete revolution of a propeller. There is always some percentage of inefficiency as water conditions, boat weight and propeller style are introduced into the performance equation. The lower the "slip factor," the more efficiently the propeller will perform and the faster the speed at a given engine RPM. Lower pitches accelerate faster, but have a lower top end speed. Higher pitches have a slower acceleration, but may attain higher top speeds. An inch of pitch generally is equal to 150 – 200 engine RPM's at wide open throttle (WOT). If pitch is increased by an inch, RPM's will decrease by 150 – 200 RPM's at WOT. If pitch is decreased by an inch, RPM's will increase by 150 – 200 RPM's at WOT. Always operate your boat/engine combination within the recommended RPM range guidelines as stated in your operator's manual. Operating outside the recommended range can cause severe damage to your engine and may void the engine warranty.



4-STROKE PROPELLERS

DF4/6 (Optional '03-'08)

Type	Material	Blades	Diameter	Pitch	Part Number	DF4	DF6
C600	Aluminum	3	7-1/2	6	58111-98602-019	'03	
C610	Aluminum	3	7-1/2	6-1/2	58110-98641-019	'03	
C700	Aluminum	3	7-1/2	7	58110-98651-019	'03	
C601	Aluminum	3	7-1/2	6	58110-91J00-019	'04-'08	'04-'08
C611	Aluminum	3	7-1/2	6-1/2	58110-91J10-019	'04-'08	'04-'08
C701	Aluminum	3	7-1/2	7	58110-91J20-019	'04-'08	'04-'08

Diameter and pitch are measured in inches. ■=Optional. Type C does not include Propeller Bushing. Refer to the Bushing Application Chart.

DF9.9/15

Type	Material	Blades	Diameter	Pitch	Part Number	'97-'08
M701*	Aluminum	3	9-1/4	7	58100-93703-019	■
M801*	Aluminum	3	9-1/4	8	58100-91D00-019	■
M901*	Aluminum	3	9-1/4	9	58100-94J00-019	■
M1001*	Aluminum	3	9-1/4	10	58100-93733-019	■
M1101*	Aluminum	3	9-1/4	11	58100-93743-019	■
M911*	Aluminum	3	9-1/4	9	58100-93763-019	■
M1011*	Aluminum	3	9-1/4	10	58100-93773-019	■

Diameter and pitch are measured in inches. ■=Optional. Type M does not include propeller bushing. Refer to the Bushing Application Chart.

DF25/25 V-Twin/30

Type	Material	Blades	Diameter	Pitch	Part Number	'00-'08
P1001*	Aluminum	3	10-1/4	10	58100-96410-019	■
P1101*	Aluminum	3	10-1/4	11	58100-96420-019	■
P1201*	Aluminum	3	10-1/4	12	58100-96430-019	■
P1401*	Aluminum	3	10-1/4	14	58100-95D00-019	■
P1501*	Aluminum	3	10-1/4	15	58100-96460-019	■
P911+	Aluminum	3	10-1/4	9	58100-96370-019	■
P1101+	Aluminum	3	10-1/4	10	58100-96470-019	■
P1211+	Aluminum	3	10-1/4	12	58100-96480-019	■
P1311+	Aluminum	3	10-1/4	13	58100-96490-019	■
25-30	Stainless Steel	3	10-1/4	12	99105-00600-12P	■
25-30	Stainless Steel	3	10-1/4	13	99105-00600-13P	■
25-30	Stainless Steel	3	10-1/4	14	99105-00600-14P	■
25-30	Stainless Steel	3	10-1/4	15	99105-00600-15P	■

Diameter and pitch are measured in inches. *=-Press-In Type Bushing, +=Heavy Duty Propellers. ■=Optional. Through-the-prop exhaust propeller. Type P does not include propeller bushing. Refer to the Bushing Application Chart.

DF40/50

Type	Material	Blades	Diameter	Pitch	Part Number	'99-'08
S900	Aluminum	3	11-1/2	9	58100-94302-019	■
S1000	Aluminum	3	11-1/2	10	58100-95212-019	■
S1100	Aluminum	3	11-1/2	11	58100-95222-019	■
S1200	Aluminum	3	11-1/2	12	58100-95393-019	■
S1301	Aluminum	3	11-1/2	13	58100-94313-019	■, L
S1400	Aluminum	3	11-1/2	14	58100-95353-019	■
S1500	Aluminum	3	11-1/2	15	58100-95363-019	■
S1600	Aluminum	3	11-1/2	16	58100-95373-019	■
S1700	Aluminum	3	11-1/2	17	58100-95382-019	■
40-50	Stainless Steel	3	11-3/4	12	99105-00500-12P	■
40-50	Stainless Steel	3	11-3/4	13	99105-00500-13P	■
40-50	Stainless Steel	3	11-3/4	14	99105-00500-14P	■
40-50	Stainless Steel	3	11-3/4	15	99105-00500-15P	■
40-50	Stainless Steel	3	11-3/4	16	99105-00500-16P	■
40-50	Stainless Steel	3	11-3/4	17	99105-00500-17P	■

Diameter and pitch are measured in inches, (L)=Standard on Long Shaft Model, ■=Optional. Type S does not include propeller bushing. Refer to the Bushing Application Chart.

DF60/70

Type	Material	Blades	Diameter	Pitch	Part Number	'98-'08
V1100	Aluminum	3	14	11	58100-99E10-019	■
V1300	Aluminum	3	13-1/2	13	58100-99E00-019	■
V1500	Aluminum	3	13-1/2	15	58100-94500-019	■
V1700	Aluminum	3	13-1/4	17	58100-94512-019	■
V1900	Aluminum	3	13	19	58100-94522-019	■
V2100	Aluminum	3	13	21	58100-94532-019	■
60-70	Stainless Steel	3	13-1/4	12	99105-00100-12P	■
60-70	Stainless Steel	3	13-1/4	14	99105-00100-14P	■
60-70	Stainless Steel	3	13-1/4	16	99105-00100-16P	■
60-70	Stainless Steel	3	13-1/4	18	99105-00100-18P	■
60-70	Stainless Steel	3	13-1/4	20	99105-00101-20P	■
60-70	Stainless Steel	3	13-1/4	22	99105-00100-22P	■
60-70	Stainless Steel	3	13-1/4	24	99105-00101-24P	■
60-70	Stainless Steel	3	13-1/4	26	99105-00100-26P	■

Diameter and pitch are measured in inches. Extremely durable stainless steel propellers especially designed for high performance boats. ■=Optional. Type V Cupped aluminum propeller with press-in bushing. Refer to the Bushing Application Chart.

Propeller Bushing Application

Type	Applications	Bushing Type	Bushing	Stopper	Spacer	Washer	Nut	
C	DF4/5	'03 Models	Push-In	58120-98600			58130-91J00	
C	DF4/5	'04-'08 Models	Push-In	58120-91J00	57635-91J00		58130-91J00	
C	DF6	'03-'08 Models	Push-In	58120-91J00	57635-91J00			
M	DF9.9/15		Press-In	58120-93701	57632-93902	57633-93901	09160-12066	09141-12005
P	DF25/30/V-Twin		Press-In	58120-95300	57632-95J00	57633-96300	09160-14028	09141-14008
S	DF40/50		Press-In	58120-95300	57632-95305	57633-94300	09160-18028	09141-18005
U	DF60/70		Press-In	58120-95500	57635-95510	57633-95501	58120-94520	09141-18005
V	DF60/70		Press-In	58120-94520	57635-94511	57633-94500	09160-18028	09141-18005
90-140	DF90/115/140		Press-In	58120-90J00	57635-90J01*	year specific	09160-18028	09141-18005
90-140	DF90/115/140 '01-'02 Models		Press-In	58120-90J00	57635-90J01*	57633-90J01	09160-18028	09141-18005
90-140	DF90/115/140 '03-'08 Models		Press-In	58120-90J00	57635-90J01*	57633-90J02	09160-18028	09141-18005
90-140	DF90/115/140 Counter Rotation Models		Press-In	58120-90J00	57635-92J01*	year specific	09160-18028	09141-18005
150-300	DF150/175/200/225/250/300		Press-In	58105-93J00	57632-93J10	57633-87D30	09160-18028	09141-18005

*Use Spacer For Stopper; 57632-90J00



DF90/115/140

Type	Material	Blades	Diameter	Pitch	Part Number	'01-'08
90-140	Aluminum	3	13-1/2	15	58100-90J41-019	■
90-140	Aluminum	3	14	17	58100-90J01-019	■
90-140	Aluminum	3	14	19	58100-90J11-019	■
90-140	Aluminum	3	14	21	58100-90J21-019	■
90-140	Aluminum	3	14	23	58100-90J31-019	■
90-140	Stainless Steel	3	14	16	99105-00700-16P	■
90-140	Stainless Steel	3	14	18	99105-00700-18P	■
90-140	Stainless Steel	3	14	20	99105-00700-20P	■
90-140	Stainless Steel	3	14	22	99105-00700-22P	■
90-140	Stainless Steel	3	14	24	99105-00700-24P	■
90-140	Stainless Steel	3	14	26	99105-00700-26P	■
90-140	Stainless Steel	3	14	28	99105-00700-28P	■
Counter Rotational Models						
115-140	Stainless Steel	3	14	18	99105-0070L-18P	■
115-140	Stainless Steel	3	14	20	99105-0070L-20P	■
115-140	Stainless Steel	3	14	22	99105-0070L-22P	■
115-140	Stainless Steel	3	14	24	99105-0070L-24P	■

Diameter and pitch are measured in inches. ■=Optional.

DF150/175

Type	Material	Blades	Diameter	Pitch	Part Number	up to '08
150-175	Stainless Steel	3	15-1/2	17	990C0-00830-17P	■
150-175	Stainless Steel	3	15-1/4	19	990C0-00830-19P	■
150-175	Stainless Steel	3	15	21	990C0-00830-21P	■
150-175	Stainless Steel	3	14-3/4	23	990C0-00830-23P	■
150-175	Stainless Steel	3	14-1/2	25	990C0-00830-25P	■
150-175	Stainless Steel	3	14-1/2	27	990C0-00830-27P	■
150-175	Stainless Steel	4	14-3/8	23	990C0-00834-23P	■
150-175	Stainless Steel	4	14-3/8	25	990C0-00834-25P	■
150-175	Stainless Steel	4	14-3/8	27	990C0-00834-27P	■
150-175	Stainless Steel	4	14-3/8	28	990C0-00834-28P	■
150-175	Stainless Steel	4	14-3/8	29	990C0-00834-29P	■
Counter Rotational Models						
150-175	Stainless Steel	3	15-1/2	17	990C0-0083L-17P	■
150-175	Stainless Steel	3	15-1/4	19	990C0-0083L-19P	■
150-175	Stainless Steel	3	15	21	990C0-0083L-21P	■
150-175	Stainless Steel	3	14-3/4	23	990C0-0083L-23P	■
150-175	Stainless Steel	3	14-1/2	25	990C0-0083L-25P	■
150-175	Stainless Steel	3	14-1/2	27	990C0-0083L-27P	■

Diameter and pitch are measured in inches. ■=Optional.

DF200/225/250/300

Type	Material	Blades	Diameter	Pitch	Part Number	up to '08
200-300	Stainless Steel	3	16	17	99105-00800-17P	■
200-300	Stainless Steel	3	16	18-1/2	99105-00800-185	■
200-300	Stainless Steel	3	16	20	99105-00800-20P	■
200-300	Stainless Steel	3	16	21-1/2	99105-00800-215	■
200-300	Stainless Steel	3	16	23	99105-00800-23P	■
200-300	Stainless Steel	3	16	24-1/2	99105-00800-245	■
200-300	Stainless Steel	3	16	26	99105-00800-26P	■
200-300	Stainless Steel	3	16	27-1/2	99105-00800-275	■
200-300	Stainless Steel	4	15	20	990C0-00840-20P	■
200-300	Stainless Steel	4	15	22	990C0-00840-22P	■
200-300	Stainless Steel	4	15	24	990C0-00840-24P	■
200-300	Stainless Steel	4	15	26	990C0-00840-26P	■

Diameter and pitch are measured in inches. ■=Optional.

Propeller Hardware Kit

Includes the spacer, cotter key, washer and nut to secure the propeller to the shaft. Great for tackle or tool box.

57630-92E00	V-6
57630-93900	DF9.9/15C
57630-94300	DF40/50
57630-94500	DF60/70 with V-Style
57630-90J00	DF90 - 140
57630-96300	DF25/30



Propeller Lock

Theft protection for your boat's propeller, in and out of the water. Constructed of naval brass and stainless steel for long life. Easy to install. Also fits counter rotation models.

99105-30003	DF40 - 300
-------------	------------



DF200/225/250/300 (continued)

Type	Material	Blades	Diameter	Pitch	Part Number	up to '08
Counter Rotational Models						
200-300	Stainless Steel	3	16	17	99105-0080L-17P	■
200-300	Stainless Steel	3	16	18-1/2	99105-0080L-185	■
200-300	Stainless Steel	3	16	20	99105-0080L-20P	■
200-300	Stainless Steel	3	16	21-1/2	99105-0080L-215	■
200-300	Stainless Steel	3	16	23	99105-0080L-23P	■
200-300	Stainless Steel	3	16	24-1/2	99105-0080L-245	■
200-300	Stainless Steel	3	16	26	99105-0080L-26P	■
200-300	Stainless Steel	4	15	20	990C0-0084L-20P	■
200-300	Stainless Steel	4	15	22	990C0-0084L-22P	■
200-300	Stainless Steel	4	15	24	990C0-0084L-24P	■
200-300	Stainless Steel	4	15	26	990C0-0084L-26P	■

Diameter and pitch are measured in inches. ■=Optional.



2-STROKE PROPELLERS

Propeller Hardware Kit

Includes the spacer, cotter key, washer and nut to secure the propeller to the shaft. Great for tackle or tool box.



57630-92D00	DT8C/9.9C
57630-93900	DT9.9/15C
57630-94300	DT40/55/65
57630-94500	DT75-140 with V-Style
57630-95500	DT75-140 with U-Style
57630-96300	DT20/30/25C/30C
57630-92E00	V-6

Propeller Lock

Theft protection for your boat's propeller, in and out of the water. Constructed of naval brass and stainless steel for long life. Easy to install. Also fits counter rotation models.



99105-30003	DT40 - 225
-------------	------------

DT2/2.2/3.5

Type	Material	Blades	Diameter	Pitch	Part Number	DT2/2.2		DT3.5
						'77-'88	'89-'97	'83-'84
A400	Aluminum	3	7-3/8	4-1/2	58111-98465-019	S, L	S	
A500	Aluminum	3	7-3/8	4-3/4	58111-98452-019	■	■	
A510	Aluminum	3	7-3/8	5-3/8	58111-98402-019	■	■	
B510	Aluminum	3	7-3/8	5-3/8	58111-98313-019			S
B600	Aluminum	3	7-1/2	5-7/8	58111-98304-019	■		■

Diameter and pitch are measured in inches. (L)=Standard on Long Shaft Model, (S)=Standard on Short Shaft Model, (XL)=Standard on Extra Long Shaft Model, ■=Optional. Types A/B do not include Propeller Bushing. Refer to the Bushing Application Chart.

DT4/5/6/8

Type	Material	Blades	Diameter	Pitch	Part Number	DT4	DT5		DT6		DT8
						'85-'98	'83	'99-'02	'84-'88	'89-'02	'83-'87
C600	Aluminum	3	7-1/2	6	58111-98602-019	■		■			
C610	Aluminum	3	7-1/2	6-1/2	58111-98641-019	■		■			
C700	Aluminum	3	7-1/2	7	58111-98651-019	■		■			
F500	Aluminum	3	7-7/8	5-1/4	58111-98722-019		■		■	■	■
F600	Aluminum	3	7-7/8	5-7/8	58111-99722-019		■		■	■	■
F610	Aluminum	3	7-7/8	6-1/2	58111-99110-019		L		■	■	■
F700	Aluminum	3	8-1/2	7-1/4	58111-96002-019		■		■	■	■
F710	Aluminum	3	7-7/8	7-1/2	58111-99100-019		■		■	L	■

Diameter and pitch are measured in inches. (L)=Standard on Long Shaft Model, (S)=Standard on Short Shaft Model, (XL)=Standard on Extra Long Shaft Model, ■=Optional. Types C/F do not include propeller bushing. Refer to the Bushing Application Chart.

DT8C/9.9C/9.9CN/9.9/15/15C

Type	Material	Blades	Diameter	Pitch	Part Number	DT8C		DT9.9C		DT9.9CN		DT9.9	DT15		DT15C
						'85-'98	'89-'97	'88	'89-'97	'88	'89-'97	'83-'87	'83-'86	'87-'88	'89-'97
E700	Aluminum	3	9-1/4	7	58100-92D01-019	■	■	■	■						
E800	Aluminum	3	9	8-1/4	58100-92D11-019	■	S, L	■	■						
E900	Aluminum	3	9	9-1/4	58100-92D21-019	■	■	■	S, L						
EY610	Aluminum	3	10	6-1/2	58100-92D62-019					■	S, L				
M701*	Aluminum	3	9-1/4	7	58100-93703-019							■	■	■	■
M801*	Aluminum	3	9-1/4	8	58100-91D00-019							■	■	■	■
M1001*	Aluminum	3	9-1/4	10	58100-93733-019							S	S	S	L
M1101*	Aluminum	3	9-1/4	11	58100-93743-019							S	S	L	■
M911†	Aluminum	3	9-1/4	9	58100-93763-019							■	■	■	
M1011†	Aluminum	3	9-1/4	10	58100-93773-019							■	■	■	

Diameter and pitch are measured in inches. * = Press-In Type Bushing, + = Heavy Duty Propellers; Press-In Type Bushing, (L)=Standard on Long Shaft Model, (S)=Standard on Short Shaft Model, ■=Optional. Type E includes Propeller Bushing. Type EY specially designed for sailboat use to increase reverse thrust. Type M Though-the-prop exhaust. Does not include Propeller Bushing. Refer to the Bushing Application Chart.

DT20/25/25C/30/30C

Type	Material	Blades	Diameter	Pitch	Part Number	DT20		DT25		DT30		DT25C		DT30C	
						'83-'86	'87-'88	'83-'86	'87-'88	'83-'86	'87-'88	'89-'00	'87-'88	'89-'97	
P1001*	Aluminum	3	10-1/4	10	58100-96410-019	▲	■	▲	■	▲	■	■		■	■
P1101*	Aluminum	3	10-1/4	11	58100-96420-019	▲	■	▲	■	▲	■	■		■	■
P1201*	Aluminum	3	10-1/4	12	58100-96430-019	L	L	L	L	L	L	■		■	■
P1401*	Aluminum	3	10-1/4	14	58100-95D00-019	▲	■	▲	■	▲	■	S		■	S
P1501*	Aluminum	3	10-1/4	15	58100-96460-019	▲	■	▲	■	▲	■	■		■	■
P911†	Aluminum	3	10-1/4	9	58100-96370-019	▲	■	▲	■	▲	■	■		■	■
P1101†	Aluminum	3	10-1/4	10	58100-96470-019	▲	■	▲	■	▲	■	■		■	■
P1211†	Aluminum	3	10-1/4	12	58100-96480-019	▲	■	▲	■	▲	■	■		■	■
P1311†	Aluminum	3	10-1/4	13	58100-96490-019	▲	■	▲	■	▲	■	■		■	■
25-30	Stainless Steel	3	10-1/4	12	99105-00600-12P	▲	■	▲	■	▲	■	■		■	■
25-30	Stainless Steel	3	10-1/4	13	99105-00600-13P	▲	■	▲	■	▲	■	■		■	■
25-30	Stainless Steel	3	10-1/4	14	99105-00600-14P	▲	■	▲	■	▲	■	■		■	■
25-30	Stainless Steel	3	10-1/4	15	99105-00600-15P	▲	■	▲	■	▲	■	■		■	■

Diameter and pitch are measured in inches. * = Press-In Type Bushing, + = Heavy Duty Propellers; Press-In Type Bushing, (L)=Standard on Long Shaft Model, (S)=Standard on Short Shaft Model, ■=Optional, ▲=Applicable. Through-the-prop exhaust propeller. Type P does not include propeller bushing. Refer to the Bushing Application Chart.



DT40-65

Type	Material	Blades	Diameter	Pitch	Part Number	DT40		DT50	DT50M	DT55		DT60	DT65	
						'83-'88	'89-'98	'83-'84	'83-'84	'85-'88	'89-'97	'83-'84	'85-'88	'89-'97
S900	Aluminum	3	11-1/2	9	58100-94302-019	■	■	■	■	■	■	■	■	■
S1000	Aluminum	3	11-1/2	10	58100-95212-019	■	■	■	■	■	■	■	■	■
S1100	Aluminum	3	11-1/2	11	58100-95222-019	■	■	■	■	■	■	■	■	■
S1200	Aluminum	3	11-1/2	12	58100-95393-019	■	■	■	■	■	■	■	■	■
S1301	Aluminum	3	11-1/2	13	58100-94313-019	■	L	L	L	■	■	■	■	■
S1400	Aluminum	3	11-1/2	14	58100-95353-019	■	S	■	■	■	■	■	■	■
S1500	Aluminum	3	11-1/2	15	58100-95363-019	■	■	■	■	■	■	L	L	■
S1600	Aluminum	3	11-1/2	16	58100-95373-019	■	■	■	■	■	■	■	■	L
S1700	Aluminum	3	11-1/2	17	58100-95382-019	■	■	■	■	■	■	■	■	■
40-65	Stainless Steel	3	11-3/4	12	99105-00500-12P	■	■	■	■	■	■	■	■	■
40-65	Stainless Steel	3	11-3/4	13	99105-00500-13P	■	■	■	■	■	■	■	■	■
40-65	Stainless Steel	3	11-3/4	14	99105-00500-14P	■	■	■	■	■	■	■	■	■
40-65	Stainless Steel	3	11-3/4	15	99105-00500-15P	■	■	■	■	■	■	■	■	■
40-65	Stainless Steel	3	11-3/4	16	99105-00500-16P	■	■	■	■	■	■	■	■	■
40-65	Stainless Steel	3	11-3/4	17	99105-00500-17P	■	■	■	■	■	■	■	■	■

Diameter and pitch are measured in inches, (L)=Standard on Long Shaft Model, (XL)=Standard on Extra Long Shaft Model, ■=Optional. Type S Non-cupped propeller with a pressed-in propeller bushing. Refer to the Bushing Application Chart.

DT75-140

Type	Material	Blades	Diameter	Pitch	Part Number	DT75		DT85	DT90	DT100	DT115	DT140	
						'83-'88	'89-'97	'83-'88	'89-'00	'89-'97	'89-'00	'83-'88	'89-'00
V1300	Aluminum	3	13-1/2	13	58100-99E00-019	■	■	■	■	■	■	■	■
V1500	Aluminum	3	13-1/2	15	58100-94500-019	■	L	■	■	■	■	■	■
V1700	Aluminum	3	13-1/4	17	58100-94512-019	■	■	■	L	L, XL	■	■	■
V1900	Aluminum	3	13	19	58100-94522-019	■	■	■	■	■	L, XL	■	L, XL
V2100	Aluminum	3	13	21	58100-94532-019	■	■	■	■	■	■	■	■
75-140	Stainless Steel	3	13-1/4	12	99105-00100-12P	■	■	■	■	■	■	■	■
75-140	Stainless Steel	3	13-1/4	14	99105-00100-14P	■	■	■	■	■	■	■	■
75-140	Stainless Steel	3	13-1/4	16	99105-00100-16P	■	■	■	■	■	■	■	■
75-140	Stainless Steel	3	13-1/4	18	99105-00100-18P	■	■	■	■	■	■	■	■
75-140	Stainless Steel	3	13-1/4	20	99105-00101-20P	■	■	■	■	■	■	■	■
75-140	Stainless Steel	3	13-1/4	22	99105-00100-22P	■	■	■	■	■	■	■	■
75-140	Stainless Steel	3	13-1/4	24	99105-00101-24P	■	■	■	■	■	■	■	■
75-140	Stainless Steel	3	13-1/4	26	99105-00100-26P	■	■	■	■	■	■	■	■

Diameter and pitch are measured in inches, (L)=Standard on Long Shaft Model, (XL)=Standard on Extra Long Shaft Model, ■=Optional. Type V Cupped aluminum propeller with press-in bushing. Refer to the Bushing Application Chart.

DT150-225 Optional on 1986-2003 Models

Type	Material	Blades	Diameter	Pitch	Part Number
150-225	Stainless Steel	3	14-1/4	16	99105-00200-16P
150-225	Stainless Steel	3	14-1/4	18	99105-00200-18P
150-225	Stainless Steel	3	14-1/4	20	99105-00200-20P
150-225	Stainless Steel	3	14-1/4	22	99105-00200-22P
150-225	Stainless Steel	3	14-1/4	24	99105-00200-24P
150-225	Stainless Steel	3	14-1/4	26	99105-00201-26P
150-225	Stainless Steel	3	14-1/4	28	99105-00201-28P

Counter Rotation Models

150-225	Stainless Steel	3	14-1/4	16L	99105-0020L-16P
150-225	Stainless Steel	3	14-1/4	18L	99105-0020L-18P
150-225	Stainless Steel	3	14-1/4	20L	99105-0020L-20P
150-225	Stainless Steel	3	14-1/4	22L	99105-0020L-22P
150-225	Stainless Steel	3	14-1/4	24L	99105-0020L-24P

Diameter and pitch are measured in inches.

Propeller Bushing Application

Type	Applications	Bushing Type	Bushing	Stopper	Spacer	Washer
A	DT2	Push-In				09180-10138
B	DT3.5	Push-In	58120-98301			
C	DT4/5	Push-In	58120-99026			
E	DT8C/9.9C	Press-In	58120-92D01	57632-92D00	57633-92D00	09160-10082
EY	DT9.9CN	Press-In	58120-92D01	57632-92D00	57633-92D00	09160-10082
M	DT9.9/15	Push-In	58120-93901	57632-93901	57633-93900	09160-12066
M	DT9.9/15/15C	Press-In	58120-93901	57632-93901	57633-93900	09160-12066
P	DT20/25/30	Push-In	58120-96313	57632-96312	57633-96300	09160-14028
P	DT20/25/30	Press-In	58120-96401	See fiche	57633-96300	09160-14028
P	DT20/25/30/30C	Press-In	58120-96401	57632-96400	57633-96300	09160-14028
P	DT20/25/30	Press-In	58120-96401	See fiche	57633-96300	09160-14028
V	DT75/85/115/140 '81-'91	Press-In	58120-94520	57635-94502	57633-94500	09160-18028
V	DT75/85/90/100/115/140 '92-'03	Press-In	58120-94520	57635-94511	57633-94500	09160-18028
V	DT90/100 '92-'03	Press-In	58120-94520	57632-87E00	57633-94500	09160-18028
25-30	DT20/25/30	Press-In	58120-96401	See fiche	57633-96300	09160-14028
40-65	DT40/65	Press-In	58120-95300	57632-95305	57633-94300	

REPAIR KITS/ ZINC ANODES



Gear Case Seal Kit



Carburetor Repair Kit

Gear Case Seal Kit

Gear Case Seal Kits include all necessary replacement seals and o-rings.

25700-95D00	DF25/30	All
25700-95D00	DT25C/30C	All
25700-94400	DF40/50	All
25700-94400	DT40C	All
25700-94700	DT55/65	All
25700-95501	DT75/85	All
25700-94500	DT115/140	All
25700-87E00	DF60/70 and V4 Models	'89 - '00
25700-99E00	DF60/70	'01 - '08
25700-87D00	V6, 2-Stroke Models	'89 - '03
25700-90J01	DF90/115	All
25700-92J00	DF140	All
25700-93J00	DF150/175 200/225/250	All
25700-98J00	DF 300	All

Carburetor Repair Kit

Carburetor Repair Kits include gaskets and float needle valve.

13910-89J01	DF25/30	All
13910-95D00	DT25/30C	All
13910-94400	DT40/65/85/140	All
13910-94701	DT55/75/115	All
13910-87D00	V6, 2-Stroke Models	All

Water Pump Repair Kit

Repair kits include necessary parts to rebuild the water pump on the models listed.

17400-87D11	V6 2-Stroke Models	'86 - '03
17400-87E03	DF60/70	'98 - '06
17400-87E03	DT90/100	'89 - '01
17400-92D01	DT8C/9.9C	'89 - '97
17400-93951	DF9.9/15	'97 - '06
17400-93951	DT9.9	'85 - '87
17400-93951	DT15	'83 - '88
17400-93951	DT15C	'89 - '97
17400-94J00	DF9.9/15	'07 - '08
17400-94611	DT115/140	'83 - '01

Water Pump Repair Kit (cont'd)

17400-94701	DT55/65	'85 - '97
17400-95351	DT75/85	'85 - '00
17400-98551	DT6	'84 - '02
17400-98551	DT8	'86 - '97
17400-98652	DT4	'84 - '98
17400-98652	DT5	'99 - '02
17400-96352	DF25/30 DF40/50	'00 - '07 '99 - '08
	DT20	'86 - '88
	DT25	'84 - '88
	DT25C	'89 - '00
	DT30	'84 - '87
	DT30C	'88 - '97
	DT35/40C	'83 - '98
17400-95J00	DT25 V-Twin	'06 - '08
17400-99E01	DF60/70	'07 - '08
17400-90J11	DF90/115/140	'01 - '05
17400-92J00	DF90/115/140	'06 - '08
17400-98661	DF4/6	'03 - '07
17400-96J00	DF150/175	'06 - '08
17400-93J00	DF200/225/250	'04 - '08
17400-98J00	DF 300	'07 - '08



Water Pump Repair Kit

Magnesium Anodes for Freshwater Use Only

Magnesium anodes protect underwater metal components from galvanic corrosion in freshwater environment. Do not use in saltwater. For 2-Stroke applications check parts fiche.

55321-87J10	DF4/5/6 DF 25 thru 140	All
55321-94910	DF60 thru 140 DF150/175/200 /225/250/300	'01 - '08 '06 - '08

Aluminum Anodes for Brackish and/or Saltwater

Do not use in freshwater.

55321-87J00	DF4/5/6 DF25 thru 300	All
-------------	--------------------------	-----



Zinc Anodes for Saltwater Use Only

Easy to replace Zinc Anodes protect motor parts from galvanic corrosion in saltwater environment. Not for freshwater use. Note: Zinc Anodes should not be painted. For 2-Stroke applications check parts fiche.

11130-94600	DF60/70	'98 - '03	
11281-94400	DF60/70	'98 - '03	
41811-98500	DF9.9/15	'97 - '08	
55125-90J01	DF60-140	'98 - '08	
55125-98J00-OEP	DF200/225 /250/300 Trim Tab		
55125-95500	DF40/50	'99 - '08	

55125-96310	DF25/30	'00 - '07	
55300-95500	All Models	All	
55320-94900	DF60 thru 300	'01 - '08	
55320-95311	DF25 /30 DF40/50 DF60/70 DF150/175 DF200/225 /250/300	'00 - '07 '99 - '08 '01 - '08 '06 - '08 '04 - '08	
55321-90J01	DF60-140	'98 - '08	
55321-93900	DF9.9/15	'97 - '08	

4-STROKE ENGINE APPLICATIONS CHART



SPECIFIC APPLICATION NOTES:

- * Cable is available in one foot increments from 8 to 25 feet.
(example: 008 = 8ft, 025 = 25ft)
- ** Must use with one of the following Main Harnesses:
16': 36620-93J50
21': 36620-93J00
25': 36620-93J60
- *** Under-Hood Electric Start Harness
- **** Case Assy Fuse 36740-95253, Screw 02142-05307 is required

DF4/6 '03-'08

	Part Number	Notes
Side Mount Control Box	67200-91J00	
Remote Control Attaching Kit	67130-91J00	
Water Pump Repair Kit	17400-98661	
Rectifier Set	32801-91J00	
Battery Charging Kit	32000-91J00	
Receptacle	39600-91J00	
Fuel Hose	65700-91J10	

	DF25/30 '00-'07		DF25V-Twin '06-'08		DF40/50 '05-'08		DF60/70 '05-'08	
	Part Number	Notes	Part Number	Notes	Part Number	Notes	Part Number	Notes
Side Mount Control Box	67200-93J00	'05 - '07	67200-94J10		67200-93J00**		67200-93J00**	
Remote Control Attaching Kit	67130-89J30	'05 - '07	67130-95J00					
Remote Control Cables	99105-11000-OXX*	2 req'd	99105-11000-OXX*	2 req'd	99105-11000-OXX*	2 req'd	99105-11000-OXX*	2 req'd
Single Binnacle					67200-93J12		67200-93J12	
Dual Binnacle			67200-93J22		67200-93J22		67200-93J22	
Flush Mount			67200-93J30		67200-93J30	'03 - '08	67200-93J30	
Wire Harness 16'	36620-93J50	'05 - '07	36620-93J50		36620-93J50		36620-93J50	
Wire Harness 21'	36620-93J00	'05 - '07	36620-93J00		36620-93J00		36620-93J00	
Wire Harness 26'	36620-93J60	'05 - '07	36620-93J60		36620-93J60		36620-93J60	
Power Trim/Tilt Sw.					37805-93J00		37805-93J00	
Ignition Sw. Panel Assy.			37100-96J00		37100-96J00		37100-96J00	
Dual Ign. Sw. Panel Assy					37100-96J10		37100-96J10	
Ignition Switch, Emergency Stop and Buzzer			37100-96J20		37100-96J20		37100-96J20	
Warning Buzzer	38500-93J00		38500-93J00		38500-93J00		38500-93J00	
Emergency Stop Assy.	37803-93J00		37803-93J00		37803-93J00		37803-93J00	
Deluxe Single Binnacle Kit					67000-93J00		67000-93J00	
Deluxe Dual Binnacle Kit			67000-93J10				67000-93J10	
Deluxe Flush Mount Kit			67000-93J20		67000-93J20		67000-93J20	
Dual Engine Tie Bar					99105-10006		99105-10006	
Water Pump Repair Kit	17400-96352		17400-95J00		17400-96352		17400-87E03	
Tiller Handle Kit, no PTT switch	63001-89J05-0EP	'00 - '04			63002-87J23-0EP	'05 - '08	63002-99E23-0EP	
Drag Link Kit	67701-89J20	'03 - '07	67700-95J00		67701-87J11		67701-87J11	
Steering Tensioner							43770-99E00	
Steering Bracket Attachment	43755-89J00							
Steering Adjuster Kit	43401-89J00							
Fuel Hose	65700-87J10	'00-'07	65700-87J11		65700-87J11	All	65700-87J11	All
Propeller Hardware Kit	57630-96300		57630-96300		57630-94300	All	57630-94500 57630-95500	V-Style U-Style



DF9.9/15 '96-'08		
	Part Number	Notes
Side Mount Control Box	67200-91J10	'05-'08
Remote Control Attaching Kit	67130-94J10	'05-'08
Remote Control Cables	99105-11000-OXX*	2 req'd
Harness, Remote Control	36630-89E02***	'96-'04
Main Harness	36620-94J00	'05-'08
Water Pump Repair Kit	17400-93951 17400-94J00	'96-'04 '07-'08
Steering Bracket Attachment	67720-93E00	
Tilt-Tube Attachment	41141-89E00	
Rectifier Set	32800-95D01**** 32800-94J10	'96-'04 '05-'08
Rectifier Regulator	32801-94J00	'05-'08
Battery Charging Kit	32800-94J00	'05-'08

DF9.9/15 '96-'08		
	Part Number	Notes
Lighting Coil Set	32130-93E00	'96-'04
Optional Lighting Coil Set	32120-93E10	'96-'04
Choke Solenoid	38610-93E00	'96-'04
Bolts	01550-06167	2 req'd
Starter Motor Set	31101-95D20-OEP 31000-94J00	'96-'03 '05-'08
Starter Switch Set	33800-93E10	'96-'04
Stator, 120W	32120-94J10	'06-'08
Flywheel, Ring Gear Type	32102-93E20	'96-'04
Receptacle Set	39600-94J00	'05-'08
Fuel Hose	65700-91J10	'04-'08
Propeller Hardware Kit	57630-93900	
Drag Link Assembly	67701-93E12	'97-'08

DF90/115-140 '05-'08		DF150/175 '06-'08		DF200-250 '05-'08	
Part Number	Notes	Part Number	Notes	Part Number	Notes
67200-93J00**		67200-93J00**		67200-93J00**	'04-'08
99105-11000-OXX* 2 req'd		99105-11000-OXX* 2 req'd		99105-11001-OXX* 2 req'd	
67200-93J12		67200-93J12		67200-93J12	
67200-93J22		67200-93J22		67200-93J22	'04-'08
67200-93J30		67200-93J30		67200-93J30	'04-'08
36620-93J50		36620-93J50		36620-93J50	
36620-93J00		36620-93J00		36620-93J00	
36620-93J60		36620-93J60		36620-93J60	
37805-93J00		37805-93J00		37805-93J00	
37100-96J00		37100-96J00		37100-96J00	
37100-96J10		37100-96J10		37100-96J10	
37100-96J20		37100-96J20		37100-96J20	
38500-92X50	'01-'04	38500-93J00		38500-93J00	
38500-93J00	'05-'08				
37803-93J00		37803-93J00		37803-93J00	
67000-93J00		67000-93J00		67000-93J00	
67000-93J10		67000-93J10		67000-93J10	
67000-93J20		67000-93J20		67000-93J20	
99105-10006					
17400-90J11	'01-'05	17400-96J00		17400-96J00	'04-'08
17400-92J00	'06-'08				
63002-90J22-OEP					
67701-90J00	'01-'08	67701-96J00		67700-93J00	'04-'08
65700-87J10	'01-'02	65700-87D70		65700-87D70	'04-'08
65700-90J00	'03-'07				
57630-90J00		57630-92E00		57630-92E00	'04-'08

DF300 '07-'08	
	Part Number
First Station Kit for Single Engine	67000-98J00
Second Station Kit for Single Engine	67000-98J10
First Station Kit for Dual Engine	67000-98J20
Second Station Kit for Dual Engine	67000-98J30
First Station Kit for Triple Engine	67000-98J40
Second Station Kit for Triple Engine	67000-98J50
Flush Mount Kit	67000-98J60
Remote Control Assembly, Single	67200-98J00
Remote Control Assembly, Multi	67200-98J10
Remote Control Assembly, Flush	67200-98J20
Panel Assembly, Main Switch	37100-98J00
Panel Assembly, Single	37100-98J10
Panel Assembly, Dual	37100-98J20
Panel Assembly, Triple	37100-98J30
Water Pump Repair Kit	17400-98J00
Gear Case Seal Kit	25700-98J00
Propeller Nut Kit	57630-92E00
Panel Assmely, Emergency Stop	37803-93J00
Warning Buzzer Assembly	38500-93J00

GENUINE SUZUKI PERFORMANCE OILS

Genuine Suzuki Performance Marine Oils are specially formulated and extensively tested to ensure consistent high-quality every time. All Suzuki Performance Oils are custom blended in the United States to rigid factory specifications.



Recommended Oil Change Periods

1st 20 hours	Every 100 hours	Every 200 hours
Oil & Filter	Oil	Oil & Filters

Oil Filters and Capacities

Model	Filter Part Number	Oil Capacity w/out Filter L (QT)	Oil Capacity w/ Filter L (QT)
DF9.9/15	16510-05240*	1.0 (1.1)	1.1 (1.2)
DF25/30	16510-87J00	3.0 (3.2)	3.2 (3.4)
DF40/50	16510-87J00	2.2 (2.3)	2.4 (2.5)
DF60/70	16510-87J00	4.5 (4.8)	4.8 (5.1)
DF90/115	16510-61A20-MHL	5.5 (5.8)	5.7 (6.0)
DF140	16510-82703	5.5 (5.8)	5.7 (6.0)
DF150/175	16510-96J00	8.0 (8.5)	8.5 (9.0)
DF200/225/250 (~'07)	16510-96J00	8.0 (8.5)	8.2 (8.7)
DF200/225/250/300	16510-96J00	8.0 (8.5)	8.2 (8.7)

*Also replace "O" Rings 09280-54001 & 09280-13004

Oil Change Necessities

09248-12007	Oil Drain Plug	All models
09168-12012	Drain Plug Gasket	All models
09915-40611	Oil Filter Wrench	All except DF9.9/15

Marine 4-Cycle Engine Oil

Premium grade 4-cycle engine oil is formulated to provide superior lubrication and protection for your four-stroke outboard engine. It also protects internal engine parts from rust and corrosion in harsh marine environments. See chart for recommended oil filter and capacities.

99000-10W40-1QT	1 QT. Bottle	12/Case
99000-10W40-1GL	1 GL. Bottle	6/Case
99000-10W40-55G	55 Gallon Drum	
99000-20W50-1QT	1 QT. Bottle	12/Case
99000-20W50-55G	55 Gallon Drum	

Marine 2-Cycle Engine Oil

Clean burning, high performance 2-Cycle engine oil developed exclusively for Suzuki Oil-Injected and Non-Injected Outboard Motors. Consult Owner's Manual for mixing instructions. N.M.M.A. TC-W3 certified.

99105-51001-1QT	1 QT. Bottles	12/Case
99105-51001-1GL	1 GL. Bottles	6/Case
99105-51001-5GL	5 GL. Bottle	
99105-51001-55G	55 Gallon Drum	

Dealers: Engine Oil must be ordered separately from all Parts and Accessories. See Suzuki Connect for instructions.

Marine 4-Cycle Engine Oils - 1 Quart Bottle



Marine 2-Cycle Engine Oil - 1 Quart and 5 Gallon Bottles



Hypoid Oil



Silicone Lubricant



Fogging Oil



Penetrating Lubricant Spray

Gear Oil Capacity

Model	Gear Case Oil Capacity (cc)	Gear Case Oil Capacity (oz)
DT2 (Short Shaft)	70 cc.	2.4 oz.
DT2 (Long Shaft)	120 cc.	4.0 oz.
DT3.5	85 cc.	2.9 oz.
DT4	190 cc.	6.4 oz.
DF4/6	190 cc.	6.4 oz.
DT5/6/8	240 cc.	11.5 oz.
DT8C/9.9C/9.9CN	175 cc.	5.9 oz.
DF9.9/15	175 cc.	5.9 oz.
DT9.9/15/15C	170 cc.	5.7 oz.
DT20/25/30/30C/35C	230 cc.	7.8 oz.
DF25/30	230 cc.	7.8 oz.
DT40	610 cc.	20.6 oz.
DF40/50	610 cc.	20.6 oz.
DT50/55/60/65	650 cc.	22.0 oz.
DF60/70	600 cc.	20.3 oz.
DT75/85	700 cc.	23.7 oz.
DT90/100	560 cc.	18.9 oz.
DT115/140	1100 cc.	37.2 oz.
DF90/115/140	1050 cc.	35.5 oz.
DT150/175/200/225	1050 cc.	35.5 oz.
DF150/175/200/225/250	1100 cc.	37.2 oz.
DF300	1100 cc.	37.2 oz.

Hypoid Gear Oil

Hypoid gear oil is formulated to Suzuki specifications. Available in two convenient sizes: 32 ounce and 5 gallon bottles. See chart for recommended gear oil capacities.

99105-50041	32 oz.	12/Case
99105-50046	5 Gallon	

Silicone Lubricant

Suzuki Silicone Lubricant stops sticking and lubricates rubber.

99950-06005	11 oz. Can	12/Case
-------------	------------	---------

Fogging Oil

Fogging Oil contains a dual corrosion inhibitor system helping to protect internal metal surfaces from rust and corrosion during storage.

99950-06020	10 oz. Can	12/Case
-------------	------------	---------

Penetrating Lubricant Spray

Loosen rusted parts with Suzuki Penetrating Lubricant Spray. Helps start wet engines and protects electrical systems.

99950-06000	12 oz. Can	12/Case
-------------	------------	---------

SUZUKI BOAT CARE



Suzuki Boat Care Kit

Gear Case Filler Pump

Power Trim and Tilt Fluid

Water Resistant Grease

Flush Kit

Suzuki Bond 1207B

Fuel Hose Attachment

Silicone Seal

Thread Locks

Boat Wash

Multi-Purpose Cleaner

Vinyl Cleaner/Protectant

Instant Detailer

Gear Case Filler Pump

99000-40001 Fits 1QT Bottle

Flush Kit

99000-40000

Flush Hose Attachment

Insert Flush Hose Attachment in gear case flushing hole to rinse out water cooling passages. NOTE: Plug water intake holes before flushing.

55181-95200 All 2 Stroke Models
DF4 thru DF50 4 Stroke Models

Power Trim & Tilt Fluid

Formulated exclusively for Suzuki Power Trim & Tilt Systems.

99950-06050 12 Fluid oz. Bottle 12/Case

Water Resistant Grease

Use on oil seal lips, links and joints of the engine that are below the waterline.

99000-25160 8.8 oz. Tube

Suzuki Bond 1207B

1207B is used for sealing crankcases due to its outstanding resistance to heat and oil.

99104-31140 3.5 oz. Tube

Silicone Seal

A clear adhesive sealer with a silicone base.

99000-31120 1.7 oz. Tube

Thread Locks

Prevents nuts and bolts from vibrating loose. Made with the same compounds used to assemble Suzuki Products at the factory. Four strengths for different applications. Easy to use and store in individual 10cc containers with different colors for quick identification.

99000-32020 1333B Medium Strength Bearing and Stud Lock

99000-32030 1303 High Strength Retaining Type

99000-32050 1342 Low Strength Frequent Repair

99000-32130 1360 Medium Strength High Temperature Type

Suzuki Boat Care Kit

A great item to have for care of boat, trailer and tow vehicle. The kit includes bucket, boat wash, brush, leather chamois, instant detailer and key fob. It is just the thing to keep everything in top boating shape.

99105-05200

Boat Wash

Specially formulated to leave your boat sparkling. Suzuki Performance Boat Wash removes dirt, boat grime, grease and oil. Ideal for everything above and below deck.

99105-06090 16 Fluid oz. Bottle 12/Case

Multi-Purpose Cleaner

Specially formulated to leave your boat clean. Suzuki Performance Multi-Purpose Cleaner works on tough stains like grease, oil, grime and food on boats, fiberglass, vinyl, plastic and other hard surfaces.

99105-06095 25 Fluid oz. Bottle 12/Case

Vinyl Cleaner/Protectant

Revolutionary Cleaner/Protectant formulated for vinyl seats, rubber, leather and vinyl components. Suzuki Performance Vinyl Cleaner Protectant enhances color and luster, and leaves a long lasting shine.

99105-06105 25 Fluid oz. Bottle 12/Case

Instant Detailer

One step Suzuki Performance Instant Detailer easily removes surface dust, dirt and light grease while replenishing and protecting the finish of your Suzuki outboard and boat.

99950-05038 16 Fluid oz. Bottle 12/Case



Fuel Injector Cleaner



Fuel Conditioner & Water Remover



Engine Degreaser



Spray Carburetor and Choke Cleaner



Brake and Contact Cleaner



Color Match Paint



Wheel Cleaner



Heavy Duty Degreaser



Engine Covers

Wheel Cleaner

Spray Suzuki Wheel Cleaner on cold wheels, then spray off with strong stream of water for fantastic-looking wheels.

99950-06035 32 Fluid oz. 6/Case

Heavy Duty Degreaser

Suzuki Performance Heavy Duty Degreaser is great for cleaning grease, oil and grime from outboards, trailers and other greasy items.

99105-06110 32 Fluid oz. Bottle 12/Case

Engine Degreaser

Spray on, hose off. Removes grease, grime and oil. Leaves no residue. Harmless to electrical systems.

99950-06040 18 oz. Can 12/Case

Brake and Contact Cleaner

Contact and Brake Cleaner is ideal for cleaning parts. Leaves no residue; dries quickly. NOTE: Not available in California.

99950-06060 18 oz. Can 12/Case

Fuel Injector Cleaner

Suzuki Fuel Injector Cleaner keeps injectors clean and corrosion-free for maximum power. Dissolves gum and varnish.

99950-06025 12 Fluid oz. Bottle 12/Case

Fuel Conditioner & Water Remover

Fuel Conditioner keeps stored fuel fresh for long periods of time.

99950-06010 12 Fluid oz. Bottle 12/Case

Genuine Suzuki Color Matched Paint

Keep your motor looking its best! Genuine SuzukiColor matched lacquer-based, quick-drying paint is available in 13 oz. cans or handy paint tube with brush applicator.

99105-00157	White 13oz spray can
99105-00163	Silver 13oz spray can
99105-00153-37J	Gold 13oz spray can
99105-60000	Charcoal 13oz spray can
99105-60000-OEP	Shadow Black Metallic 13oz spray can
99105-61000-OEP	Shadow Black Metallic Touch-Up Paint Tube with Brush Applicator
99105-61000-Z11	Flax White Touch-Up Paint Tube with Brush Applicator

Spray Carburetor and Choke Cleaner

Suzuki Carburetor and choke cleaner quickly dissolves gum, varnish, and carbon deposits for fast and effective cleaning of carburetors without leaving a filmy residue.

99950-06030 12.5 oz. Can 12/Case

Engine Covers

Custom fit Engine Covers feature Sunbrella® UV resistant, water repellent fabric and silk screened Four Stroke graphics.

99105-65000	DF25/30
99105-65007	DF25 V-Twin
99105-65001	DF40/50
99105-65002	DF60/70
99105-65003	DF90/115
99105-65004	DF140
99105-65006	DF150/175
99105-65005	DF200/225/250
99105-65008	DF300

SUZUKI MARINE STYLE



Suzuki Anchor Jacket



Suzuki Marine Polo

Suzuki Marine Twill Shirt

Suzuki Anchor Jacket

Water-repellent, 100% polyester oxford with 100% polyester mesh lining. Nylon lining in sleeves. Double-entry zip and welt front pockets; inside cell phone pocket; adjustable snap cuffs; ventilation cape front and back.

990A0-15034-___ Tan/Black MED-XXL

Suzuki Marine Polo

Classic knit shirt styling in 6.5 oz., ring-spun, combed, 100% cotton piqué. Matching knit collar and cuffs; vented tail.

990C0-18039-___ Red MED-XXL

990C0-18040-___ Royal Blue

Suzuki Marine Twill Shirt

Wrinkle-free, peached finish, 4.5 oz., 100% cotton fineline twill. Button-down collar; left chest pocket; back yoke with double pleats.

990C0-18038-___ Red MED-XXL

Suzuki Marine Logo Caps

Structured twill cap features precurved visor, six sewn eyelets, hook-and-loop closure size adjustment. Dealers order in packs of 3 caps.

990C0-17045 Red Adjustable

990C0-17046 Stone



Suzuki Marine Logo Caps



Suzuki Fishing Shirt



Suzuki Marine Axis Shirt



Suzuki Logo Mug



Suzuki Tumbler



Suzuki Stadium Cup

Suzuki Fishing Shirt

Soft and breathable Fishing Shirt features a vented cape back, 2 bellows cargo pockets, and a handy rod loop at the left chest. Machine washable.

990C0-18041-__ Blue MED-XXL

Suzuki Marine Axis Shirt

Short-sleeved camp shirt in dobby pattern, sand-washed 4.5 oz., 65% rayon/35% polyester. Pearlized buttons; button-down left chest pocket; straight bottom with side vents. Back yoke with side pleats.

990C0-18036-__ Sand MED-XXL

990C0-18037-__ Black MED-XXL

Suzuki Logo Mug

Large capacity ceramic mug with Suzuki logo. Dealers order in multiple of 4.

990A0-99015 Matte Black

Suzuki Tumbler

High gloss plastic mug has double-wall insulation and splash-resistant, flow-through lid. Holds 16 oz. Fits most cupholders; top rack dishwasher safe.

990A0-99016 Gunmetal

Suzuki Stadium Cup

22oz. plastic cups feature the Suzuki logo. Dealers order in multiple of 5.

990A0-99017 Blue

SUZUKI PROMOTIONAL



Suzuki Patches

Use the Suzuki logo patches on your shop uniforms or other apparel.

99950-19100 Suzuki Patches 1" x 3 1/2"



Suzuki Patches

Suzuki Marine Logo Stickers

Die cut Suzuki Marine logo sticker can be used almost anywhere.

99105-19200 4" Suzuki Marine Logo Sticker

99105-19200-MED 12" Suzuki Marine Logo Sticker

99105-19200-LRG 20" Suzuki Marine Logo Sticker



Suzuki Marine Logo Stickers

Suzuki License Plate Frame

High quality, polished stainless steel Suzuki Logo Plate Frame is a great addition to the tow vehicle or boat trailer.

99980-91002 Suzuki License Plate Frame



Suzuki License Plate Frame



Parts Logo Sign

Parts Logo Sign

Metal embossed Genuine Suzuki Parts Sign for the parts, shop or garage area.

99950-19354 Parts Logo Sign

Suzuki Welcome Mat

Large 3' X 5' "Suzuki Welcomes You" mat with rubber backing. (Dealers check Price Guide for dealer pricing.)

990A0-99012 Suzuki Welcome Mat 3' x 5'



Suzuki Welcome Mat



Suzuki Logo Balloons



Barricade Tape



Suzuki String Pennant



Genuine Suzuki Accessories Vinyl Stadium Banner



Suzuki Logo Vinyl Banner

Suzuki Logo Balloons

Colorful Suzuki Balloons dress up your showroom or parking area. Big 9" size (9" wide, 12" tall) displays the two color Suzuki logo. Package contains approximately 200 balloons.

990A0-99008 Suzuki Logo Balloons Assorted Colors

Barricade Tape

Printed with the Suzuki logo, barricade tape contains 1000 feet per roll.

99950-19032 Barricade Tape 1000 feet

Banners and Pennants

Big, bright, bold Suzuki banners can help publicize your next open house or boating event.

99950-19317 String Pennant 50'

99950-19369 Vinyl Stadium Banner 4' x 20'

99950-19375 Vinyl Logo Banner 3' x 10'

Suzuki Merchandise Bags

Available in your choice of paper or plastic with Suzuki graphics in 500 piece packages.

99950-19371 Paper 12" H x 6" W

99950-19372 Plastic 13" H x 12" W



Suzuki Merchandise Bags



American Suzuki Motor Corp.
3251 East Imperial Highway
Brea, California 92821

www.suzuki.com
www.suzukimarine.com

All information, illustrations, photographs and specifications contained in this brochure are based on the latest product information available at the time of publication. Due to improvements or other changes, there may be some discrepancies in this brochure. Suzuki reserves the right to make production changes at any time, without notice and without incurring any obligation to make the same or similar changes to accessories previously built or sold.

Note: Some items may require installation by an Authorized Suzuki Marine Dealer.

For the name, address and telephone number of the Authorized Suzuki Dealer nearest you, call
1-800-247-4704

